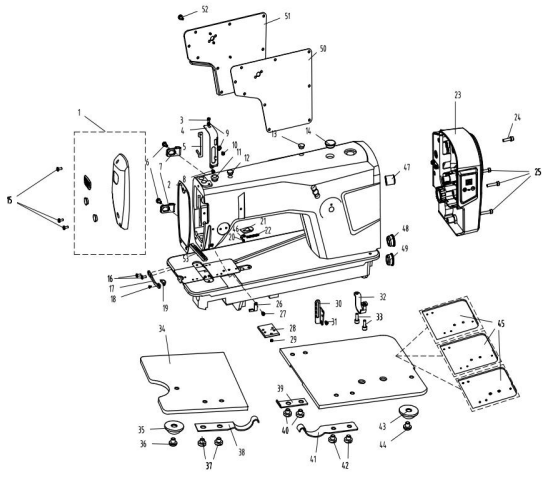


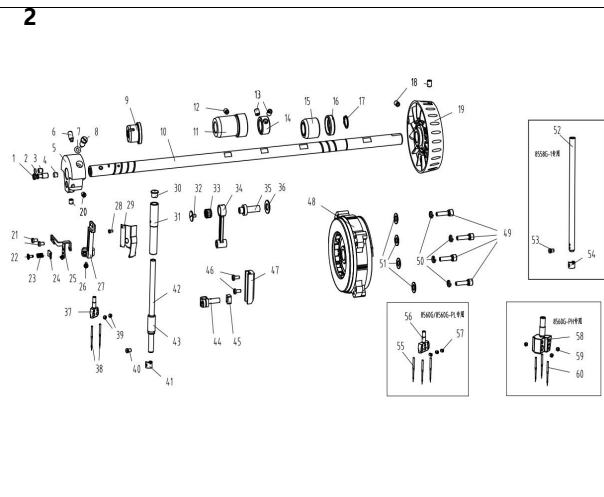
1



1. 机壳、外装分组件/Machine Frame & Miscellaneous Cover Components

序号 NO	公司件号	Part NO	名称	PartName	零件描述	Description	数量	Number
1	93000081		面板(喷漆)	face plate asm	face plate asm		1	1
2	11252003		面板垫	face plate gasket	face plate gasket		1	2
3	401S11031		螺钉SM11/64"×40 L=6	screw SM11/64"×40 L=6	screw SM11/64"×40 L=6		1	3
4	12512029		挡线杆护罩	thread take up lever guard	thread take up lever guard		1	4
5	12512028		线量调节板	take-up thread tension lever	take-up thread tension lever		1	5
6	401S11031		螺钉SM11/64"×40 L=6	screw SM11/64"×40 L=6	screw SM11/64"×40 L=6		2	6
7	12512054		齿轮供油管夹	holder	holder		1	7
8	401S11031		螺钉SM11/64"×40 L=6	screw SM11/64"×40 L=6	screw SM11/64"×40 L=6		2	8
9	W01006		调节板螺钉垫圈	washer	washer		2	9
10	112511014		螺钉SM11/64"×40 L=5.3	screw SM11/64"×40 L=5.3	screw SM11/64"×40 L=5.3		1	10
11	10122004		针杆曲柄轴衬套	rubler plug	rubler plug		1	11
12	40122016		上轴油封孔塞	rubler plug	rubler plug		1	12
13	40122016		上轴油封孔塞	rubler plug	rubler plug		1	13
14	20722002		油塞	rubler plug	rubler plug		1	14
15	101S11001		螺钉SM3/16"×28 L=9	screw SM3/16"×28 L=9	screw SM3/16"×28 L=9		3	15
16	101S11004		螺钉SM3/16"×28 L=7	screw SM3/16"×28 L=7	screw SM3/16"×28 L=7		2	16
17	12512007		推板弹簧	bed slide lock spring	bed slide lock spring		1	17
18	101S11027		螺钉SM11/8"×44 L=2.5	screw SM11/8"×44 L=2.5	screw SM11/8"×44 L=2.5		1	18
19	12509001		推板翼把手	latcn	latcn		1	19
20	125S11004		螺钉SM11/8"×44 L=2.5	screw SM11/8"×44 L=2.5	screw SM11/8"×44 L=2.5		1	20
21	12515001		凸轮盖压板	cam cover latch	cam cover latch		1	21
22	12527001		凸轮盖压板弹簧	spring	spring		1	22
23	11253000700		平碟-铁壳控制模块 (T19-2.3M)	electronic control module	electronic control module		1	23
24	S05218		螺钉M5 L=22(BDM)	screw M5 L=22	screw M5 L=22		1	24
25	114S30001		螺钉M5 L=25	screw M5 L=25	screw M5 L=25		1	25
26	112512008		三眼线钩	3-hole thread guide	3-hole thread guide		1	26
27	112511014		螺钉SM11/64"×40 L=5.3	screw SM11/64"×40 L=5.3	screw SM11/64"×40 L=5.3		1	27
28	12515002		附件安装板	attachment installing plate	attachment installing plate		1	28
29	125S15008		螺钉SM15/64"×28 L=3	screw SM15/64"×28 L=3	screw SM15/64"×28 L=3		1	29
30	12512050		中间导线钩 (三只)	frame thread eyelet	frame thread eyelet		1	30
31	12612010		中间导线钩 (三只)	frame thread eyelet(three needles)	frame thread eyelet(three needles)		1	31
32	401S11031		螺钉SM11/64"×40 L=6	screw SM11/64"×40 L=6	screw SM11/64"×40 L=6		1	32
33	12512001		底座支承板	bed support	bed support		1	33
34	116S13002		螺钉SM11/4"×28 L=16	bed screw stud SM11/4"×28 L=16	bed screw stud SM11/4"×28 L=16		2	34
35	12615002		推板	bed slide	bed slide		1	35
36	12515006		推板滑轨	bed slide guide	bed slide guide		1	36
37	201S11002		螺钉SM3/32"×56 L=2.4	screw SM3/32"×56 L=2.4	screw SM3/32"×56 L=2.4		1	37
38	101S11019		螺钉SM3/32"×56 L=2	screw SM3/32"×56 L=2	screw SM3/32"×56 L=2		2	38
39	12512006		推板簧	spring	spring		1	39
40	12512004		凸轮盖托板	came cover	came cover		1	40
41	101S11019		螺钉SM3/32"×56 L=2	screw SM3/32"×56 L=2	screw SM3/32"×56 L=2		2	41
42	12512005		凸轮盖弹簧	spring	spring		1	42
43	101S11019		螺钉SM3/32"×56 L=2	screw SM3/32"×56 L=2	screw SM3/32"×56 L=2		2	43
44	12515006		凸轮盖导轮	cam cover guide	cam cover guide		1	44
45	201S11002		螺钉SM3/32"×56 L=2.4	screw SM3/32"×56 L=2.4	screw SM3/32"×56 L=2.4		1	45
46	12515008		凸轮盖(8558G/8560G-PL)	came cover(8558G/8560G-PL)	came cover(8558G/8560G-PL)		1	46
47	12515011		凸轮盖(8558G/8560G-PL)	came cover(8558G/8560G-PL)	came cover(8558G/8560G-PL)		1	47
48	12512002		凸轮盖压板弹簧座	spring suspension	spring suspension		1	48
49	12522022		送料杆距调节器孔塞	rubler plug	rubler plug		1	49
50	12522004		下轴孔塞	rubler plug	rubler plug		1	50
51	12522003		抬牙轴孔塞	rubler plug	rubler plug		1	51
52	12522007		后密封垫	gasket	gasket		1	52
53	303985		后密封板 (喷漆)	side plate	side plate		1	53
54	101S11001		螺钉SM3/16"×28 L=9	side plate screw SM3/16"×28 L=9	side plate screw SM3/16"×28 L=9		9	54
55	12530005		LED灯	LED light	LED light		1	55

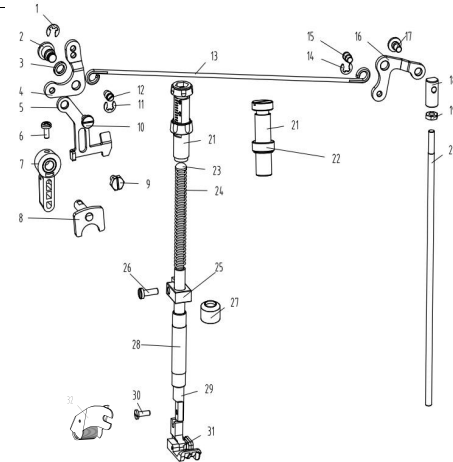
2



2. 上轴挑线分组件/Main Shaft & Thread Take-up Components

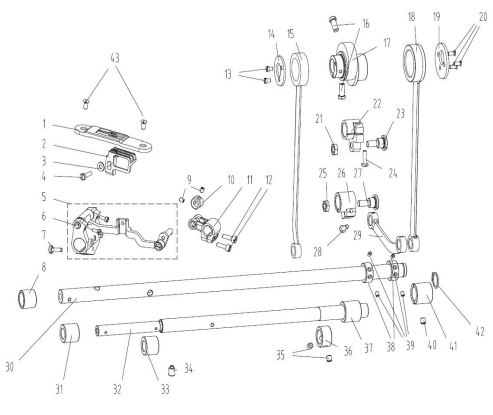
序号 NO	公司件号	Part NO	名称	PartName	零件描述	Description	数量	Number
1	113826007		上轴油盖调节销	Pin	Pin		1	1
2	113822012		O型圈	Rubber ring	Rubber ring		1	2
3	113822011		油盖调节橡胶垫	rubber cushion	rubber cushion		1	3
4	12923037		油毡	asphalt felt	asphalt felt		1	4
5	12604006		针杆曲柄(8560G-PL)	counterweight asm	counterweight asm		1	5
6	101S15004		螺钉SM9/32"×28 L=14	screw SM9/32"×28 L=14	screw SM9/32"×28 L=14		1	6
7	113822013		针杆曲柄定位螺钉O型圈	Rubber ring	Rubber ring		1	7
8	1138NS11001		螺钉SM9/32"×28 L=11	screw SM9/32"×28 L=11	screw SM9/32"×28 L=11		1	8
9	125030460		上轴前套组件(有油)	main shaft bushing,front	main shaft bushing,front		1	9
10	112602002		上轴	main shaft	main shaft		1	10
11	12503004		上轴冲套	main shaft bushing,intermediate	main shaft bushing,intermediate		1	11
12	101S15006		螺钉SM15/64"×28 L=7	screw SM15/64"×28 L=7	screw SM15/64"×28 L=7		1	12
13	101S14001		螺钉SM11/4"×40 L=6	screw SM11/4"×40 L=6	screw SM11/4"×40 L=6		2	13
14	10108001		上轴挡圈	main shaft thrust collar	main shaft thrust collar		1	14
15	125030050		上轴后轴套部件	main shaft bushing,rear	main shaft bushing,rear		1	15
16	1252200900		上轴油封组件	main shaft oil seal asm	main shaft oil seal asm		1	16
17	H03001		卡簧	motor stator	motor stator		1	17
18	1510009		螺钉M6 L=8	Screw M6 L=8	Screw M6 L=8		2	18
19	303560		手轮(喷漆)	Handwheel	Handwheel		1	19
20	101S15002		螺钉SM11/4"×40 L=6	screw SM11/4"×40 L=6	screw SM11/4"×40 L=6		2	20
21	101S11005		螺钉SM9/64"×40 L=6	screw SM9/64"×40 L=6	screw SM9/64"×40 L=6		2	21
22	125S11018		螺钉SM3/32"×56 L=1.5	screw SM3/32"×56 L=1.5	screw SM3/32"×56 L=1.5		1	22
23	12522014		张紧弹簧	tension spring	tension spring		1	23
24	12512026		张紧杆夹板	tension plate	tension plate		1	24
25	12638001		张紧杆	Take-up bar	Take-up bar		1	25
26	209S11021		螺钉	screw	screw		1	26
27	12505008		张紧连杆	thread take-up	thread take-up		1	27
28	101S11027		螺钉SM11/8"×44 L=3.4	screw SM11/8"×44 L=3.4	screw SM11/8"×44 L=3.4		1	28
29	12512070		防油板	Face oil shield asm	Face oil shield asm		1	29
30	10122013		针杆上衬套孔塞	rubber plug	rubber plug		1	30
31	112603003		针杆上衬套	needle bar bushing upper	needle bar bushing upper		1	31
32	101S17001		螺钉SM9/64"×40 L=4.8 (左旋)	left twist screw SM9/64"×40 L=4.8	left twist screw SM9/64"×40 L=4.8		1	32
33	10124001		张紧杆滚针轴承	needle roller bearing	needle roller bearing		1	33
34	10109002		针杆连杆	needle bar crank rod asm	needle bar crank rod asm		1	34
35	12526025		针杆轴衬套	needle crank	needle crank		1	35
36	10112003		针杆曲柄护板	Needle bar crank protecting plate	Needle bar crank protecting plate		1	36
37	12534001		针夹(8558G-1/4")	needle clamp(8558G-1/4")	needle clamp(8558G-1/4")		1	37
38	12534006		针夹(8558G-2)	needle clamp(8558G-2)	needle clamp(8558G-2)		1	38
39	112517003		机针(TV7 14#)	needle(TV7 14#)	needle(TV7 14#)		2	39
40	112617001		机针(TV7 18#)(厚料)	needle(TV7 18#)(H)	needle(TV7 18#)(H)		2	40
41	125S15007		螺钉SM11/64"×40 L=2.8	screw SM11/64"×40 L=2.8	screw SM11/64"×40 L=2.8		2	41
42	104S11006		螺钉SM11/8"×44 L=4.6	screw SM11/8"×44 L=4.6	screw SM11/8"×44 L=4.6		1	42
43	10113002		针杆线钩	needle bar frame thread	needle bar frame thread		1	43
44	12502017		针杆	needle bar	needle bar		1	44
45	10109023		针杆衬套	needle bar bushing,lower	needle bar bushing,lower		1	45
46	10138002		针杆连接块	needle bar connection asm	needle bar connection asm		1	46
47	112590005		针杆连接块	crank slide block	crank slide block		1	47
48	101S11008		螺钉SM11/64"×40 L=8	screw SM11/64"×40 L=8	screw SM11/64"×40 L=8		2	48
49	10109002		针杆连接块导轮	needle bar guide	needle bar guide		1	49
50	10133045		电机组件	motor rotor	motor rotor		1	50
51	114S13001		直驱电机螺钉 M5×20	Screw M5 L=20	Screw M5 L=20		4	51
52	W03002		弹簧垫圈 5	Spring washer 5	Spring washer 5		4	52
53	W01009		GB/T 97.1 平垫圈 5(镀锌)	Washer	Washer		4	53
54	11402035		针杆(8558G-1)	needle bar	needle bar		1	54
55	104S11006		螺钉SM11/8"×44 L=4.6	screw SM11/8"×44 L=4.6	screw SM11/8"×44 L=4.6		1	55
56	10113002		针杆线钩	needle bar frame thread	needle bar frame thread		1	56
57	112517003		机针(TV7 14#)	needle(TV7 14#)	needle(TV7 14#)		3	57
58	112617001		机针(TV7 18#)(厚料)	needle(TV7 18#)(H)	needle(TV7 18#)(H)		3	58
59	12634002		针夹(8560G)	needle clamp(8560G)	needle clamp(8560G)		3	59
60	205S14002		螺钉SM11/8"×44 L=3	screw SM11/8"×44 L=3	screw SM11/8"×44 L=3		3	60
61	12634005		针夹(8560G-PH)	needle clamp(8560G-PH)	needle clamp(8560G-PH)		1	61
62	125S15007		螺钉SM11/64"×40 L=2.8	screw SM11/64"×40 L=2.8	screw SM11/64"×40 L=2.8		3	62
63	112617001		机针(TV7 18#)(厚料)	needle(TV7 18#)(H)	needle(TV7 18#)(H)		3	63

3



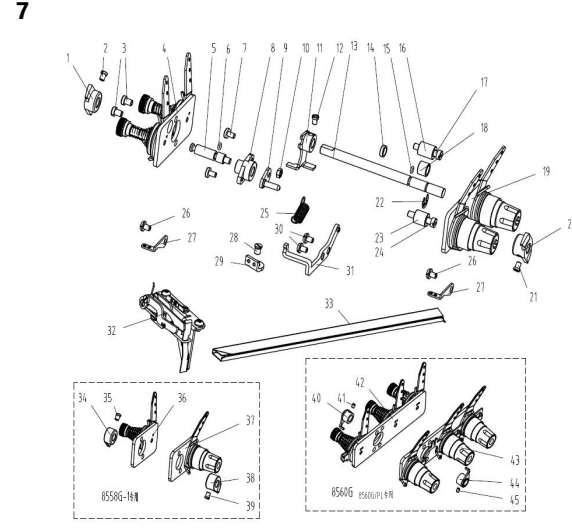
3. 针杆、竖轴、下轴部件/Needle bar & Upright Shaft & Hook Driving Shaft Components

序号 NO	公司件号	Part NO	名称	PartName	零件描述	Description	数量	Number
1	H05013		挡圈	snap ring	snap ring		1	1
2	125S11001		前杠杆轴衬套 SM3/8"×28	hinge pin SM3/8"×28	hinge pin SM3/8"×28		1	2
3	10128015		张紧销橡胶垫圈(厚)	Washer	Washer		1	3
4	12512014		抬压脚杆	lifting link	lifting link		1	4
5	12512057		抬压脚垫板	lifting lever	lifting lever		1	5
6	101S11001		螺钉SM3/16"×28 L=9	screw SM3/16"×28 L=9	screw SM3/16"×28 L=9		1	6
7	125110020		压脚把手组件	hand lifter asm	hand lifter asm		1	7
8	1251000100		压脚把手凸轮部件	hand lifter cam asm	hand lifter cam asm		1	8
9	125S20003		升降板轴位螺钉 SM11/64"×40	hinge screw SM11/64"×40	hinge screw SM11/64"×40		1	9
10	125S20001		前杠杆轴位螺钉 SM3/16"×32	hinge screw SM3/16"×32	hinge screw SM3/16"×32		1	10
11	H05003		抬压脚杆开口挡圈	snap ring	snap ring		1	11
12	125S11002		螺钉SM3/16"×32 L=4.1	screw SM3/16"×32 L=4.1	screw SM3/16"×32 L=4.1		1	12
13	12512015		抬压脚杆	lifting lever connecting rod	lifting lever connecting rod		1	13
14	12612009		抬压脚杆 (PL专用)	lifting lever connecting rod (PL special)	lifting lever connecting rod (PL special)		1	14
15	H05003		抬压脚杆开口挡圈	snap ring	snap ring		1	15
16	125S11002		螺钉SM3/16"×32 L=4.1	screw SM3/16"×32 L=4.1	screw SM3/16"×32 L=4.1		1	16
17	12512016		抬压脚杆后杆	lifting lever link rear	lifting lever link rear		1	17
18	125S20004		升降板轴位螺钉 SM3/16"×32	hinge screw SM3/16"×32	hinge screw SM3/16"×32		1	1



分组件/Presser Bar Components

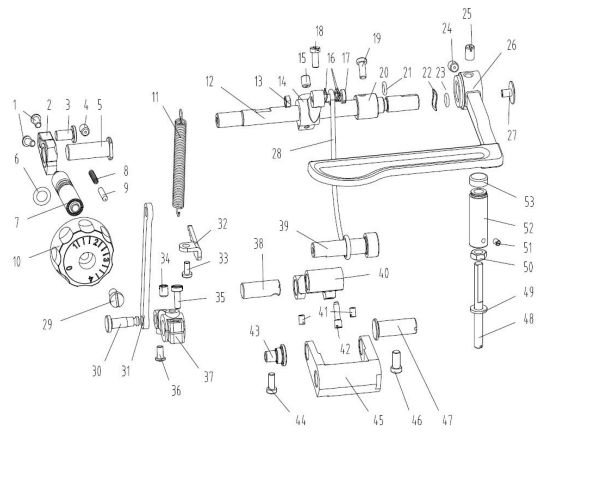
公司件号	Part NO	名称	PartName	零件描述	Description	数量	Number
12515007		针板(8558G-1/4)		throat plate(8558G-1/4)		1	
112515001		针板(8558G-1/4)(厚料)		throat plate(8558G-1/4)(-H)		1	
12515016		针板(8558G-1)		throat plate(8558G-1)		1	
12515017		针板(8558G-2)		throat plate(8558G-2)		1	
12615004		针板(8560G)		throat plate(8560G)		1	
112615002		针板(8560G-H)		throat plate(8560G)(8560G-H)		1	
12615007		针板(8560G-PH)		throat plate(8560G-PH)		1	
12605005		针板(8560G-PL)		throat plate		1	
12514001		送料穿(8558G-1/4)		reed dog(8558G-1/4)		1	
112514001		送料穿(8558G-1/4)(厚料)		reed dog(8558G-1/4)(-H)		1	
12514006		送料穿(8558G-1,8558G-2)		reed dog(8558G-1,8558G-2)		1	
12614002		送料穿(8560G)		reed dog(8560G)		1	
12614004		送料穿(8560G-PL)(8560G-H)		reed dog(8560G-PL)(8560G-H)		1	
12614006		送料穿(8560G-PH)		reed dog(8560G-PH)		1	
W01006		送料穿垫圈		washer		1	
409511031		螺钉SM11/64"×40 L=14		screw SM11/64"×40 L=14		1	
1250700300		牙架组件		Feed bar asm		1	
10423005		油线		oil wick		1	
101511021		螺钉SM3/16"×28 L=12		screw SM3/16"×28 L=12		1	
12503013		送料轴前轴套		feed rocker shaft bushing front		1	
125515003		螺钉SM11/64"×40 L=5		screw SM11/64"×40 L=5		2	
12508003		牙架连杆挡圈		thrust collar		1	
12504005		送料轴前曲柄		feed rocker shaft crank		1	
201511026		螺钉SM3/16"×32 L=12.5		screw SM3/16"×32 L=12.5		2	
206511019		送料轴连杆轴套		screw		2	
12512019		送料轴驱动偏心轴套		feed driving eccentric thrust wa		1	
400639		送料轴连杆		feed driving shaft connecting ro		1	
101511013		螺钉SM1/4"×40 L=13		screw SM1/4"×40 L=13		2	
112510001		送料轴心轴		feed eccentric cam sam		1	
400638		送料轴连杆		feed rocker shaft connecting rod		1	
12512018		送料轴偏心轴套		feed eccentric cam thrust washer		1	
125517001		螺钉SM11/64"×40 L=7.7		screw SM11/64"×40 L=7.7		3	
101516003		送料轴连杆轴套		nut		25	
12504003		送料轴曲柄		feed rocker shaft crank		1	
12520002		送料轴曲柄轴套螺钉SM9/32"×28		hinge screw SM9/32"×28		1	
101511016		螺钉SM3/16"×28 L=14		screw SM3/16"×28 L=14		1	
101516003		送料轴连杆轴套		nut		28	
12504004		送料轴曲柄		feed driving shaft crank rear		1	
12520002		送料轴连杆轴套螺钉SM9/32"×28		hinge screw SM9/32"×28		1	
101511016		螺钉SM3/16"×28 L=14		screw SM3/16"×28 L=14		1	
12502004		送料轴		connecting rod		1	
12503020		送料轴前轴套		feed rocker shaft bushing front		1	
12502005		送料轴		feed driving shaft		1	
12503017		送料轴中轴套		bushing intermediate		1	
101515010		螺钉SM15/64"×28 L=8.5		screw SM15/64"×28 L=8.5		35	
101515002		螺钉SM1/4"×40 L=6		screw SM1/4"×40 L=6		2	
10108003		送料轴后轴套		thrust collar		1	
12503012		送料轴后轴套零件		bushing rear		1	
12508002		送料轴轴套		thrust collar		2	
113514020		螺钉SM11/64"×40 L=6		screw SM11/64"×40 L=6		4	
409515004		螺钉		screw		1	
12503012		送料轴后轴套		bushing rear		1	
H03001		送料轴轴套挡圈		retaining ring		1	
125517002		螺钉		screw		2	



7. 挑线、松线、夹线分组件

Thread take-up, tension, and tension releasing assembly complete

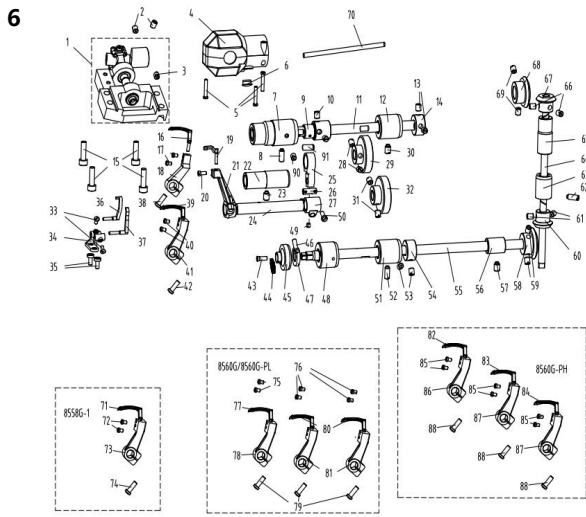
序号	公司件号	Part NO	名称	PartName	零件描述	Description	数量	Number
1	12504020		底线松线爪		looper thread release latch		1	
2	409514002		螺钉SM11/64"×40 L=3.5		screw SM11/64"×40 L=3.5		1	
3	401511031		螺钉SM11/64"×40 L=6		screw SM11/64"×40 L=6		2	
4	1251300700		底线夹线器部件		lower thread tension asm		1	
5	12502014		底线松线轴		looper thread release shaft		1	
6	O01004		底线松线轴O型圈		rubber ring		1	
7	125511020		螺钉SM9/64"×40 L=6		screw SM9/64"×40 L=6		2	
8	12504018		松线轴套		tension release shaft bushing		1	
9	1250401900		底线松线轴套部件		tension release arm asm		1	
10	114516004		螺母SM11/64"×40		nut SM11/64"×40		1	
11	1250401600		底线松线轴套部件		tension release arm asm		1	
12	101511012		螺钉SM11/64"×40 L=4.8		screw SM11/64"×40 L=4.8		1	
13	112502008		松线轴(8558G)		tension release shaft		1	
14	1252202600		油封组件		oil seal		1	
15	O01027		松线轴O型圈		oil seal ring		1	
16	12509006		夹线轴上安装垫		spacer(B) for installing plate		1	
17	125530010		螺钉SM11/64"×40 L=11		screw SM11/64"×40 L=11		1	
18	12509004		松线轴环		tension release shaft spacer		1	
19	1261301700		底线夹线器组件		needle thread tension asm		1	
20	12504017		底线松线爪		tension release latch		1	
21	409514002		螺钉SM11/64"×40 L=3.5		screw SM11/64"×40 L=3.5		1	
22	H05013		松线轴挡圈		snap ring		1	
23	12509011		夹线轴下安装垫		spacer(A)for installing plate		1	
24	125530010		螺钉SM11/64"×40 L=11		screw SM11/64"×40 L=11		1	
25	13627003		送料轴后杆杆弹簧		spring		1	
26	112511014		螺钉SM11/64"×40 L=5.3		screw SM11/64"×40 L=5.3		2	
27	12613001		导线钩		frame thread guide		2	
28	12512035		导线钩		frame thread guide		2	
28	409517001		螺钉SM11/64"×40 L=4.7		screw SM11/64"×40 L=4.7		1	
29	12613006		底线导线钩		frame thread guide		1	
30	112511014		螺钉SM11/64"×40 L=5.3		screw SM11/64"×40 L=5.3		2	
31	12512031		后杆杆弹簧固定板		suspension bracket		1	
32	11251300500		凸线轴轴套部件(8558G)		looper thread guide plate(8558G)		1	
32	1261300200		凸线轴轴套部件(8560G)		looper thread guide plate(8560G)		1	
33	12512047		底线导线管		looper thread guide tube		1	
34	12504023		底线松线爪		looper thread release latch		1	
35	101511012		螺钉SM11/64"×40 L=4.8		screw SM11/64"×40 L=4.8		1	
36	1251300900		底线夹线器部件(8558G-1)		lower thread tension asm(8558G-1)		1	
37	1251300800		底线夹线器部件(8558G-1)		needle thread tension asm(8558G-1)		1	
38	12504022		底线松线爪		tension release latch		1	
39	101511012		螺钉SM11/64"×40 L=4.8		screw SM11/64"×40 L=4.8		1	
40	1260400400		松线爪组件		tension release latch		1	
41	101511012		螺钉SM11/64"×40 L=4.8		screw SM11/64"×40 L=4.8		1	
42	1261301800		底线夹线器部件(三针)		lower thread tension asm(three needle)		1	
43	1261301700		底线夹线器部件(三针)		needle thread tension asm(three needle)		1	
44	1260400400		松线爪组件		tension release latch		1	
45	101511012		螺钉SM11/64"×40 L=4.8		screw SM11/64"×40 L=4.8		1	



分组件/Feed Mechanism Components

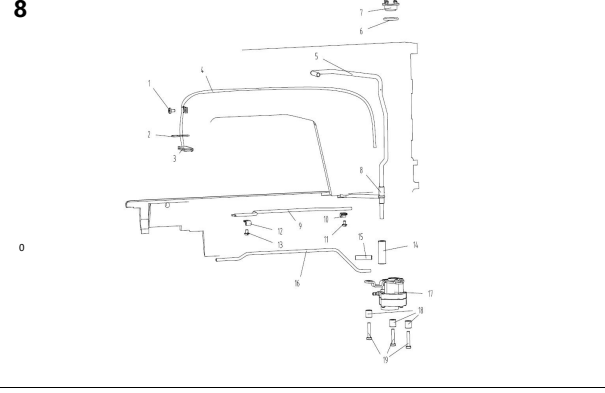
公司件号	Part NO	名称	PartName	零件描述	Description	数量	Number
116511017		螺钉SM11/64"×40 L=8		nut SM11/64"×40 L=8		2	
12504006		送料调节器		feed regulation		1	
12526020		送料轴连杆		regulator connecting shaft		1	
101515006		螺钉SM15/64"×28 L=7		screw SM15/64"×28 L=7		1	
12526011		送料轴调节销		hinge pin		1	
O01040		送料轴调节O形圈		O-rubber ring		1	
12526031		送料轴调节螺钉		feed regulating screw		1	
10127010		送料轴锁合销		stitch dial lock spring		1	
10126015		送料轴锁合销		stitch dial lock pin		1	
11251100200		送料轴轴套		stitch dial asm		1	
12527004		送料轴轴套		tension spring		1	
12502006		送料轴轴套		reverse feed control lever shaft		1	
401516004		螺母SM3/16"×28		nut SM11/64"×40 L=8		1	
12504008		送料轴曲柄		control lever crank rear		1	
101515006		螺钉SM15/64"×28 L=7		screw SM15/64"×28 L=7		1	

16	W04002		倒送料轴轴套		washer		3	
17	125520006		倒送料轴轴套螺钉SM3/16"×28		screw SM3/16"×28		1	
18	101511021		螺钉SM3/16"×28 L=12		screw SM3/16"×28 L=12		1	
19	101511020		螺钉SM11/64"×40 L=10.5		screw SM11/64"×40 L=10.5		1	
20	12508006		倒送料轴轴套		thrust collar		1	
21	O01014		倒送料轴O形圈		rubber ring large		1	
22	W03010		倒送料轴轴套垫圈 10		waved washer		1	
23	O01014		倒送料轴O形圈		rubber ring large		1	
24	101515011		螺钉SM1/4"×40 L=10		screw SM1/4"×40 L=10		1	
25	101515007		螺钉SM1/4"×40 L=8		screw SM1/4"×40 L=8		1	
26	303297		倒送料轴手(喷漆)		Reverse feed lever		1	
27	125511015		螺钉SM3/16"×32 L=7		end screw SM3/16"×32 L=7		1	
28	12512021		倒送料轴		feed driving rocker arm connecti		1	
29	101511022		螺钉SM3/16"×28 L=19		screw SM3/16"×28 L=19		1	
30	12526012		拉簧调节曲柄销		tension spring suspension stud		1	
31	12505005		送料轴调节销		feed regulator connecting rod		1	
32	12512020		拉簧固定板		suspension bracket		1	
33	101511008		螺钉SM11/64"×40 L=8		screw SM11/64"×40 L=8		1	
34	101515006		螺钉SM15/64"×28 L=7		screw SM15/64"×28 L=7		1	
35	101511021		螺钉SM3/16"×28 L=12		clamp screw SM3/16"×28 L=12		1	
36	116511017		螺钉SM11/64"×40 L=8		screw SM11/64"×40 L=8		1	
37	12504007		拉簧调节曲柄		tension spring suspension crank		1	
38	12526004		送料轴调节销		connecting pin		1	
39	12526007		送料轴调节销		hinge pin		1	
40	12504002		送料轴调节销		feed driving rocker asm		1	
41	125515005		螺钉SM3/64"×32 L=6		screw SM3/64"×32 L=6		2	
42	125511009		螺钉SM11/64"×40 L=10.5		screw SM11/64"×40 L=10.5		1	
43	12526005		送料轴调节销		hinge stud		1	
44	101511020		螺钉SM11/64"×40 L=10.5		screw SM11/64"×40 L=10.5		1	
45	1251003		送料轴调节销		feed driving rocker		1	
46	125511010		螺钉SM15/64"×28 L=11		screw SM15/64"×28 L=11		1	
47	12526006		送料轴调节销		hinge pin		1	
48	125530007		倒送料轴轴套		screw SM15/64"×28 L=60		1	
49	W01015		送料轴轴套		washer		1	
50	209516006		螺母SM15/64"×28		nut SM15/64"×28		1	
51	125515004		螺钉SM9/64"×40 L=5		screw SM9/64"×40 L=5		1	
52	300975		倒送料轴轴套		lever stopper		1	
53	12522009		倒送料轴轴套		rubber cushion		1	



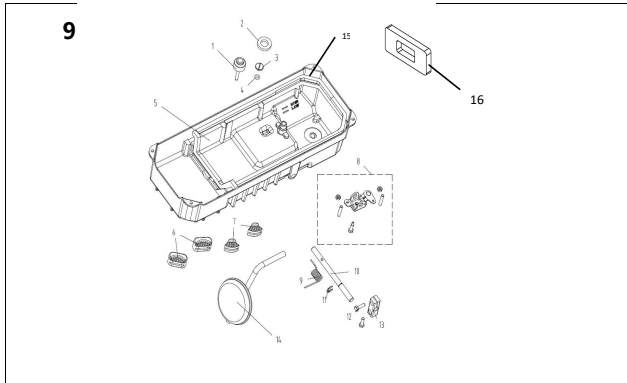
6. 弯针勾线分组件 Looper thread retainer components

序号 NO	公司件号 Part NO	名称 PartName	零件描述 Description	数量	Number
1	1250100500	弯针架座组件	looper mounting base asm	1	1
2	101S15007	螺钉SM11/4"×40 L=8	screw SM11/4"×40 L=8	2	2
3	125S30008	螺钉SM11/4"×40 L=6	screw SM11/4"×40 L=6	1	1
4	1251202200	弯针曲柄前盖部件	crank cover asm	1	1
5	126S11001	螺钉SM9/64"×40 L=17	screw SM9/64"×40 L=17	3	3
6	112522002	曲柄罩穿孔塞	Rubber plug	1	1
7	1250303800	弯针轴前轴套部件	bushing,front	1	1
8	101S15001	螺钉SM15/64"×28 L=13	screw SM15/64"×28 L=13	1	1
9	125110005	护针凸轮	needle guard cam asm	1	1
10	101S15007	螺钉SM11/4"×40 L=8	screw SM11/4"×40 L=8	2	2
11	12502009	弯针轴	looper rocket shaft	1	1
12	1250302600	下轴中轴套部件	bushing,intermediate	1	1
13	101S15007	螺钉SM11/4"×40 L=8	bushing,front asm,screw SM11/4"×40	2	2
14	112508001	弯针轴挡圈	thrust collar asm	1	1
15	125S13001	螺钉SM15/64"×28 L=22	screw SM15/64"×28 L=22	4	4
16	12517002	右弯针	looper(right)	1	1
17	209S11012	螺钉SM9/64"×40 L=4.8	screw SM9/64"×40 L=4.8	2	2
18	12604003	右弯针曲柄	looper holder asm(right)	1	1
19	12517003	驱动护针(8558G-1/4)	driving needle guard(8558G-1/4",1/8"	1	1
20	12517009	驱动护针(8558G-1)	driving needle guard(8558G-1)	1	1
21	12517010	驱动护针(8558G-2)	driving needle guard(8558G-2)	1	1
22	12617002	驱动护针(8560G,8560G-PL)	driving needle guard(8560G,8560G-PL)	1	1
23	12617006	驱动护针(8560G-PH)	driving needle guard(8560G-PH)	1	1
24	125S11003	螺钉SM9/64"×40 L=8	screw SM9/64"×40 L=8	1	1
25	12504015	护针曲柄	rear needle guard rocker arm asm	1	1
26	12503043	护针轴套	bushing	1	1
27	101S15010	螺钉SM15/64"×28 L=8.5	screw SM15/64"×28 L=8.5	1	1
28	12502012	护针轴	needle guard driving shaft asm	1	1
29	12505007	护针连杆	needle guard crank rod	1	1
30	12526014	护针曲柄销	pin	1	1
31	12504014	护针叉形曲柄	rear needle guard rocker fork	1	1
32	101S15007	螺钉SM11/4"×40 L=8	screw SM11/4"×40 L=8	2	2
33	12523003	被动驱动护针轴	gear asm,lower	1	1
34	101S15010	螺钉SM15/64"×28 L=8.5	screw SM15/64"×28 L=8.5	1	1
35	101S15007	螺钉SM11/4"×40 L=8	screw SM11/4"×40 L=8	2	2
36	12525002	主动驱动护针轴	gear asm,upper	1	1
37	101S11005	螺钉SM9/64"×40 L=6	screw SM9/64"×40 L=6	2	2
38	12501006	护针杆座	needle guard base	1	1
39	101S11011	螺钉SM11/64"×40 L=9.5	screw SM11/64"×40 L=9.5	2	2
40	12517004	左固定护针杆	counter needle guard,left	1	1
41	12517011	左固定护针杆(-2)	counter needle guard,left(-2)	1	1
42	12605001	左固定护针杆(8560G)	counter needle guard,left(8560G)	1	1
43	12617007	左固定护针杆(8560G-PH)	counter needle guard,left(8560G-PH)	1	1
44	12605001	右固定护针杆	counter needle guard,right	1	1
45	101S11016	螺钉SM3/16"×28 L=14	screw SM3/16"×28 L=14	1	1
46	12517001	左弯针	looper(left)	1	1
47	209S11012	螺钉SM9/64"×40 L=4.8	screw SM9/64"×40 L=4.8	2	2
48	12604002	左弯针曲柄	looper holder asm(left)	1	1
49	101S11016	螺钉SM3/16"×28 L=14	screw SM3/16"×28 L=14	1	1
50	125S17004	螺钉SM11/64"×40 L=9.5	screw SM11/64"×40 L=9.5	1	1
51	125100600	底线打线凸轮	looper thread take-up cam	1	1
52	12503046	下轴前轴油封套	looper thread guard bushing	1	1
53	101S11016	螺钉SM3/16"×28 L=14	screw SM3/16"×28 L=14	1	1
54	1252200700	下轴前轴油封组件	looper thread guard bushing asm	1	1
55	1250303200	下轴轴套部件	bushing_rear	1	1
56	401S15006	螺钉SM11/64"×40 L=4.5	screw SM11/64"×40 L=4.5	1	1
57	401S11020	螺钉SM11/64"×40 L=10.5	screw SM11/64"×40 L=10.5	1	1
58	1250302600	下轴中轴套部件	bushing,intermediate	1	1
59	101S15001	螺钉SM15/64"×28 L=13	screw SM15/64"×28 L=13	1	1
60	101S15007	螺钉SM11/4"×40 L=8	bushing,front asm,screw SM11/4"×40	2	2
61	112508001	弯针轴挡圈	thrust collar asm	1	1
62	12502008	下轴	lower shaft asm	1	1
63	12503025	下轴后轴套	bushing_rear	1	1
64	101S15010	螺钉SM15/64"×28 L=8.5	screw SM15/64"×28 L=8.5	1	1
65	12525001	下轴伞齿轮	gear asm	1	1
66	101S15007	螺钉SM11/4"×40 L=8	bushing,front asm,screw SM11/4"×40	2	2
67	10125003	轴轴上伞齿轮	pinion asm	1	1
68	10125004	轴轴下伞齿轮	gear asm	1	1
69	101S15007	螺钉SM11/4"×40 L=8	bushing,front asm,screw SM11/4"×40	2	2
70	12921002	油管3X5	vinyl tube	0.1	0.1
71	12517001	左弯针	looper(left)	1	1
72	209S11012	螺钉SM9/64"×40 L=4.8	screw SM9/64"×40 L=4.8	2	2
73	12504012	左弯针曲柄	looper holder asm(left)	1	1
74	101S11016	螺钉SM3/16"×28 L=14	screw SM3/16"×28 L=14	1	1
75	209S11012	螺钉SM9/64"×40 L=4.8	screw(right) SM9/64"×40 L=4.8	2	2
76	201S11007	螺钉SM9/64"×40 L=6	screw (left) SM9/64"×40 L=6	4	4
77	12517002	右弯针	looper(right)	1	1
78	12604003	右弯针曲柄	looper holder asm(right)	1	1
79	126S11001	螺钉SM9/64"×40 L=15	screw SM9/64"×40 L=15	3	3
80	12517001	左弯针	looper(left)	2	2
81	12604002	左弯针曲柄	looper holder asm(left)	2	2
82	12517001	左弯针	looper,left(8560G-PH)	1	1
83	12617011	中弯针(8560G-PH)	looper,right(8560G-PH)	1	1
84	12517002	右弯针	looper,right(8560G-PH)	1	1
85	201S11007	螺钉SM9/64"×40 L=6	screw (left) SM9/64"×40 L=6	6	6
86	12504010	左弯针曲柄(8560G-PH)	looper holder asm,left(8560G-PH)	1	1
87	12604009	右弯针曲柄(8560G-PH)	looper holder asm,right(8560G-PH)	2	2
88	126S11001	螺钉SM9/64"×40 L=15	screw SM9/64"×40 L=15	3	3



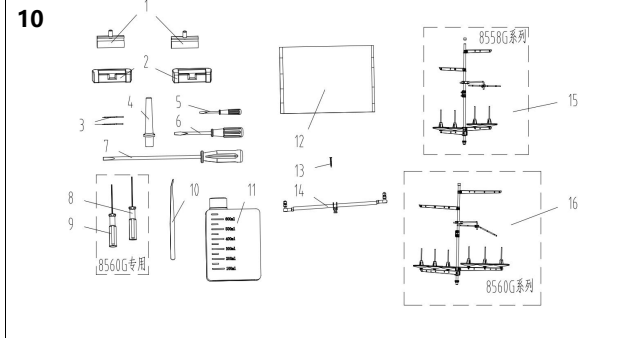
8. 润滑、油量检测组件/Oil Lubrication & Oil Measuring Components

序号 NO	公司件号 Part NO	名称 PartName	零件描述 Description	数量	Number
1	101S11004	螺钉SM3/16"×28 L=7	Screw SM3/16"×28 L=7	1	1
2	10127015	回油毡夹	holder	1	1
3	10123006	回油毡	oil felt	1	1
4	11502100100	回油管部件	Oil return tube component	1	3
5	12521005	上轴供油管	Main shaft oil tube	1	4
6	10122019	油圈O形圈	o-rubber ring	1	5
7	10111004	溢流	oil sight window	1	6
8	12536004	供油管接头	Rubber joint	1	7
9	12521003	齿轮供油管	gear oil pipe	1	8
10	12512054	齿轮供油管夹	holder	1	9
11	112511014	螺钉SM11/64"×40 L=7	screw SM11/64"×40 L=7	1	10
12	12512054	齿轮供油管夹	holder	1	11
13	112511014	螺钉SM11/64"×40 L=7	screw SM11/64"×40 L=7	1	12
14	12536002	上轴供油管接头	rubber joint	1	13
15	12536003	下轴供油管接头	rubber joint	1	14
16	12521004	下轴供油管	oil tube	1	15
17	1125200200	油泵供油	lubrication oil pump asm	1	16
18	12509011	油泵垫圈	Collar	1	17
19	125S30009	油泵螺钉	screw	3	18



9. 油盘、膝抬压脚分组件/Oil Reservoir & Knee Lifter Components

序号 NO	公司件号 Part NO	名称 PartName	零件描述 Description	数量	Number
1	12531004	抬压脚顶销	knee press lifter rod	1	1
2	10131001	油盘磁铁	oil reservoir magnet	1	1
3	101S11028	螺钉SM5/16"×24 L=7	screw SM5/16"×24 L=7	2	2
4	10122001	排油螺钉O形圈	oil drain cap gasket	2	2
5	12501009	油盘	oil reservoir	1	18
6	10122023	机头前盖垫块(大)	Cushion(big)	2	30
7	10122022	机头前盖垫块(小)	Cushion(small)	2	31
8	125120500	抬压脚双向曲柄组件	Presser foot lifting two-way crank ass	1	32
9	10127016	双向曲柄扭簧	spring	1	33
10	12502015	抬压脚轴	knee press rod	1	34
11	H05010	抬压脚轴开口挡圈	thrust ring	1	35
12	101S12003	螺帽杆头螺钉	clamp screw	2	36
13	10101008	抬压脚侧板杆头	bearing bracket	1	37
14	1011202800	螺帽杆头组件	knee lifter lever assembly	1	38
15	1252202000	油盘垫圈	gasket	1	39
16	112523003	油盘油毡垫	gasket	1	40

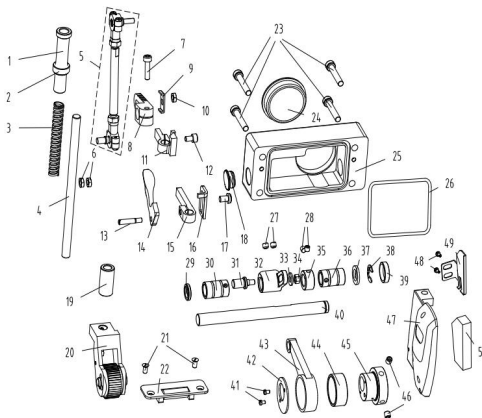


10. 机头附件 (1) /Machine Head Accessories (1)

序号 NO	公司件号 Part NO	名称 PartName	零件描述 Description	数量	Number
1	1011203100	机头连接板部件	machine hinge plate asm	2	2
2	10122060	机头连接板	machine hinge plate	2	2
3	12517012	机针TV×7(18#)	needle	1包	1
4	115011003	机头支柱	machine rest pin	1	1
5	10131004	螺丝刀(小)	Screw driver (small)	1	1
6	10131003	螺丝刀(中)	Screw driver (medium)	1	1
7	20731047	螺丝刀(大)	Screw driver (big)	1	1
8	20131044	内六角扳手 1.5mm	Allen wrench	1	1
9	20131045	内六角扳手 1.5mm	Allen wrench	1	1
10	20131051	镊子	tweezer	1	1
11	20131037	油箱部件	lubricating unit case asm	1	1
12	115031022	防尘罩	Dust cover	1	1
13	101S30010	机头连接钩螺钉 (P19)	Shoe spike (p19)	6	6
14	11543100300	拉杆组件	Rod asm	1	1
15	2113101800	线架组件(四线)	Spool stand complete	1	1
16	2113102700	线架组件(六线)	Spool stand complete	1	1

11. 机

序号	1	2	3	4	5	6	7	8	9	10	11	12	13	14	15	16	17	18	19	20	21	22	23	24	25	26	27	28	29	30	31	32	33	34	35	36	37	38	39	40	41	42	43	44	45	46	47	48	49	50
----	---	---	---	---	---	---	---	---	---	----	----	----	----	----	----	----	----	----	----	----	----	----	----	----	----	----	----	----	----	----	----	----	----	----	----	----	----	----	----	----	----	----	----	----	----	----	----	----	----	----



头附件 (1) /Machine Head Accessories (1)

公司件号	Part NO	名称	PartName	零件描述	Description	数量	Number
40603019		调压螺钉 SM1/2" × 28 L=65		Presser Adjust Screw SM1/2" × 28 L=65		1	
1138NS16005		调压螺母		presser spring regulator		1	
12627004		弹簧		Spring		1	
40602016		拖轮轴		Puller Presser Bar		1	
1260200500		拉杆组件		Pltman Rod Assy		1	
406516005		螺母 SM7/32" × 32		Nut SM15/64" × 28		2	
114513001		螺钉 M5 × 20		Screw M5 L=20		1	
12604007		调节曲柄		Crank		1	
40612048		刻度指示板		Degreeer Plate		1	
402516003		螺母		Nut		1	
40609009		压脚轴连接块		Presser Bar Clamp		1	
S05038		螺钉 M5 × 8		Nut M5 L=28		1	
40602013		固定销子		Pin		1	
40601031		抬轮扳手		Presser Foot Lifter		1	
12609001		压杆导架		presser guide bracket asm		1	
30128009		连杆轴垫圈		Washer		1	
409511013		螺钉		Screw		1	
20722002		油塞		Plug		1	
112603002		拖轮轴下衬套		Presser Bar Bush, D		1	
11261400500		拖轮组件		Puller		1	
125517002		针板螺钉		Screw		2	
12614005		下滚轮 (滚花)		Lower Roller Assembly		1	
207513004		螺钉 M6 × 35		Screw		4	
30522069		油封		Plug		1	
302105		后盖 (喷漆)		Bracket Assembly		1	
30522070		后盖密封圈		O Ring		1	
S10029		螺钉 M6 × 0.75 × 5 (进口)		Screw M6 L=5		2	
207511042		螺钉 M5 × 5		Screw M5 L=5		2	
20122021		油封		Plug		1	
20103020		送布轴右套筒		Bush		1	
20126006		送布轴		Pin Screw		1	
30504035		曲柄		Crank		1	
12612007		连接片		Link		1	
N01004		六角螺母 M5		Nut M5		1	
30508001		挡圈		Collar		1	
20103020		送布轴右套筒		Bush		1	
30128015		摆动连杆轴垫圈		Washer		1	
H05011		卡簧 9		E-Ring		1	
30522019		油封		Plug		1	
30502045		JK-8008VC-1724 拖轮轴		Shaft		1	
104511006		支杆螺钉 (进口)		Screw		2	
40612050		固定板		Thrust collar		1	
12605003		主轴连杆		Connection		1	
807036		轴承 K28 × 33 × 13		Needle Bearing		1	
12610001		主轴偏心轮		Eccentric		1	
116514005		螺钉		Screw		2	
930001178		PL面板 (喷漆)		face plate asm for pl		1	
101511004		螺钉 SM3/16" × 28 L=7		screw SM3/16" × 28 L=7		2	
112612002		挡油板		Oil baffle		1	
112623001		挡油海绵		Oil retaining sponge		1	

杰克缝纫机股份有限公司

杰克缝纫机
全球销量遥遥领先

公司地址 (Address of Company) :

中国浙江台州椒江区三甲东海大道东段 1008号

NO.1008, DONGHAI AVENUE EAST, JIAOJIANG DISTRICT,TAIZHOU CITY, ZHEJIANG

邮编 (Zip Code) : 318000

国内销售部 (Domestic Trade Department) :

电话 (TEL) : 0086-0576-88177788 88177789

传真 (FAX) : 0086-0576-88177758

国际贸易部 (International Trade Department) :

电话 (TEL) : 0086-0576-88177782 88177774

传真 (FAX) : 0086-0576-88177787

服务热线 : 400-8876858

http://www.chinajack.com

资料如有更改, 恕不另行通知, 以实物为准。

You will be not informed if the file has been revised.Please set sample as standard.

日期: 2022.08.01



请您扫下杰克服务号