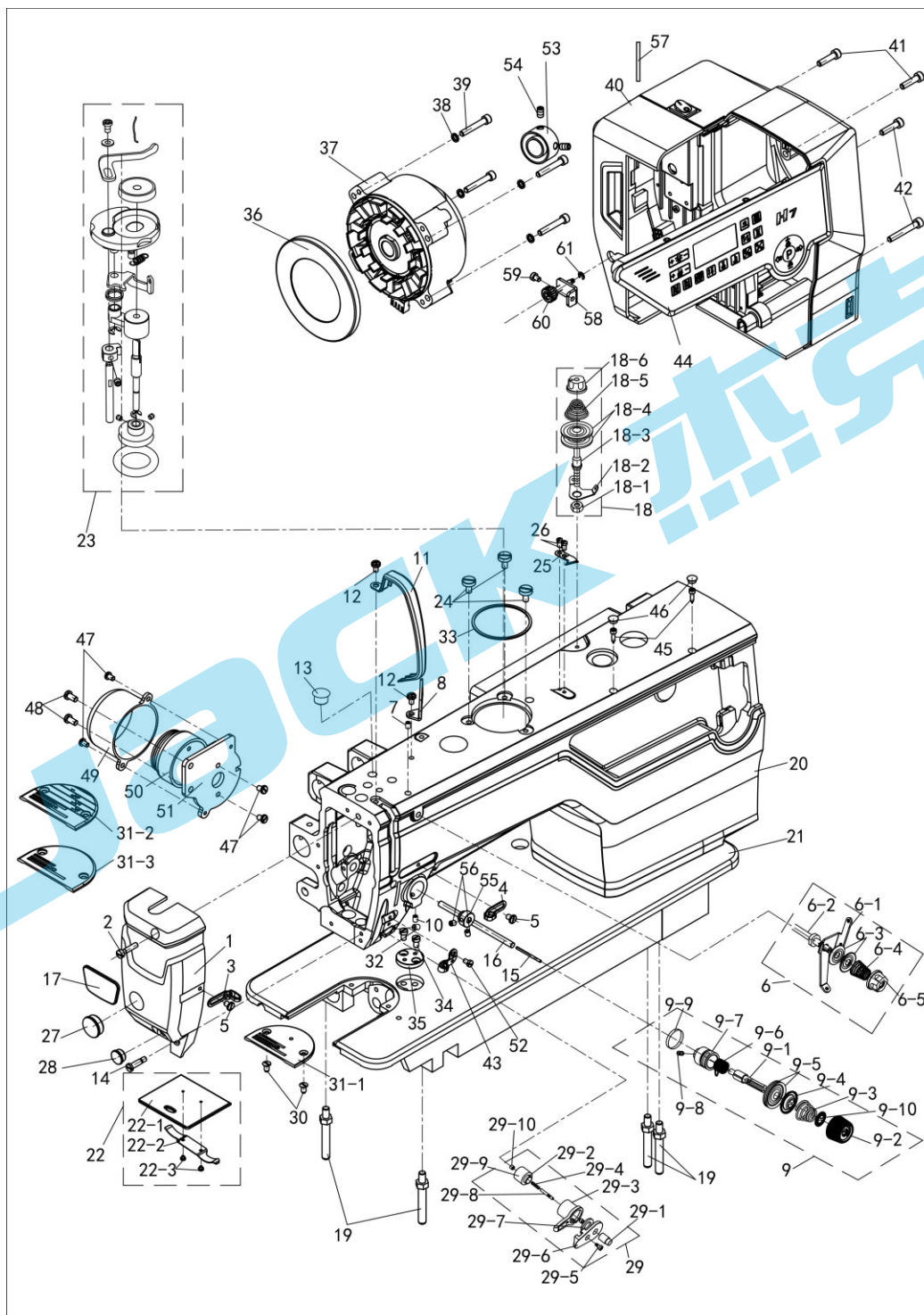


1.机壳、外装分组件/Machine frame & cover components



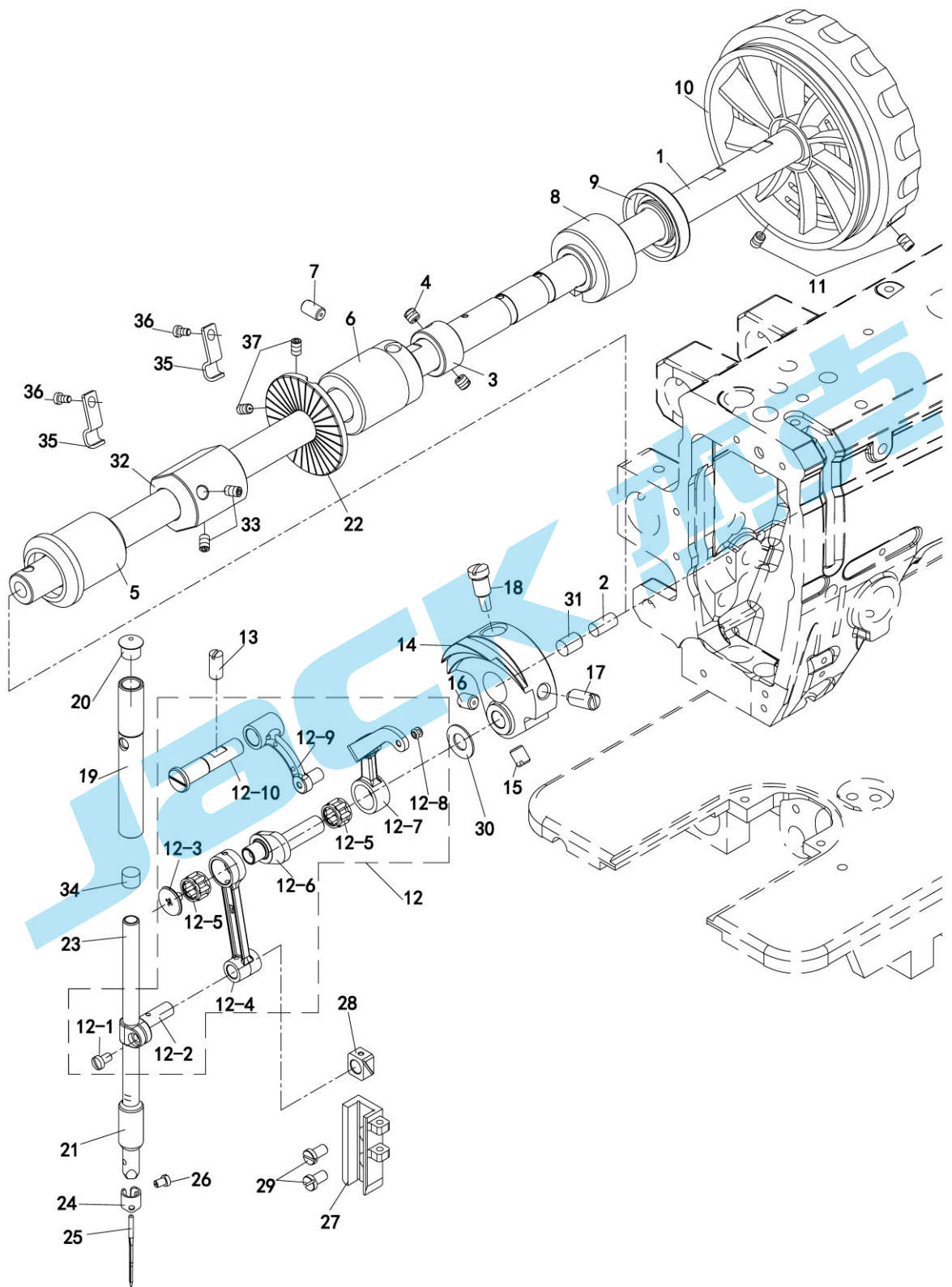
1.机壳、外装分组件/Machine frame & cover components						
序号 NO.	公司件号 Part NO.	名称 PartName	零件描述 Description	数量 Number		
				H7-C	H7-CXB	H7-CST
1	114701044	面板	Panel	1	1	1
2	201511025	面板螺钉 SM11/64×40	Panel screw SM11/64×40	1	1	1
3	114713015	面板线勾	Panel thread guide	1	1	1
4	10113004	右线钩	Panel thread guide (right)	1	1	1
5	101511007	螺钉 SM11/64×40×6	Screw SM11/64×40×6	2	2	2
6	1411300400	小夹线器组件	Small thread tension assay	1	1	1
6-1	13812066	过线板	Thread tension guide plate	1	1	1
6-2	13810008	小夹线器螺栓	Thread tension bolt	1	1	1
6-3	14112017	小夹线板	Thread tension disk	2	2	2
6-4	11227001	小夹线弹簧	Thread tension spring	1	1	1
6-5	141516019	小夹线器螺母	Thread tension nut	1	1	1
7	113514020	小夹线固定螺钉 SM11/64×40	Set screw SM11/64×40	1	1	1
8	13512004	三孔线勾	3-hole thread guide	1	1	1
9	11471301700	夹线组件	Thread tension assay	1	1	
	11471301800	夹线组件	Thread tension assay			1
9-1	1147NS30001	夹线螺钉	Thread tension Screw	1	1	
	135530002	夹线螺钉	Thread tension Screw			1
9-2	115011017	夹线螺母	Thread tension nut	1	1	1
9-3	14227024	夹线弹簧	Thread tension spring	1	1	
	10127002	夹线弹簧	Thread tension spring			1
9-4	10112006	松线板	Tension releasing board	1	1	1
9-5	14112015	夹线板	Thread tension disk	2	2	2
9-6	114727001	挑线簧	Take-up spring	1	1	
	10127001	挑线簧	Take-up spring			1
9-7	13513006	夹线调节座	Thread tension retainer	1	1	1
9-8	135515002	夹线调节座螺钉	Screw	1	1	1
9-9	10122014	O 型圈	O Ring	1	1	1
9-10	10112007	夹线螺母止动板	Thread tension nut locking plate	1	1	1
10	136514002	螺钉 SM15/64×28	Screw SM15/64×28	1	1	1
11	14712018	挑线杆防护罩	Thread tade-up lever cover	1	1	1
12	101511004	螺钉 SM3/16×28×7	Screw SM3/16×28×7	2	2	2
13	10122005	挑线连杆销螺孔塞	Take-up link pin screw plug	1	1	1
14	135511047	面板螺钉 SM11/64×40	Panel screw SM11/64×40	1	1	1
15	14726002	松线钉	Thread release pin	1	1	1
16	114713011	松线棒	Thread release bar	1	1	1
17	114737012	商标牌	trademark	1	1	1
18	1411300600	绕线夹线器	Bobbin winder thread tension	1	1	1
18-1	114516001	螺母 SM11/64×40	Nut SM11/64×40	1	1	1
18-2	11413022	夹线过线板	Thread tension guide plate	1	1	1
18-3	112513004	夹线螺钉	Screw	1	1	1
18-4	14112015	夹线板	Thread tension disk	2	2	2

1.机壳、外装分组件/Machine frame & cover components						
序号 NO.	公司件号 Part NO.	名称 PartName	零件描述 Description	数量 Number		
				H7-C	H7-CXB	H7-CST
18-5	11427006	小夹线弹簧	Spring	1	1	1
18-6	141516019	夹线螺母	Thread tension nut	1	1	1
19	101512001	底板支柱	Base plate pillar	4	4	4
20	910001147	机壳	frame	1	1	1
21	910000852	底板	Base plate	1	1	1
22-1	13515002	推板	Slide plate	1	1	1
22-2	13512007	推板簧	Slide plate spring	1	1	1
22-3	101511019	螺钉 SM3/32×56 L=2	Screw SM3/32×56 L=2	2	2	2
23	1473100100	绕线夹线器	Bobbin winder thread tension	1	1	1
24	114511003	螺钉 SM3/16×28 L=10	Screw SM3/16×28 L=10	3	3	3
25	11419001	切线刀	Thread cutter	1	1	1
26	114511015	螺钉 SM9/64×40 L=6	Screw SM9/64×40 L=6	2	2	2
27	13522001	面板橡皮塞(φ19)	Rubber plug(φ19)	1	1	1
28	13522002	面板橡皮塞(φ11.8)	Rubber plug(φ11.8)	1	1	1
29	1363001000	电子夹线组件	Nest less e-device	1		1
	11473001700	电子夹线组件	Nest less e-device		1	
29-1	11302025	夹线 φ6 芯子	Peg	1	1	1
29-2	11303035	夹线垫片铜套	Copper sheathing	1	1	1
29-3	13813031	夹线电磁铁外壳	Hull	1		1
	114730017-01	夹线电磁铁外壳	Hull		1	
29-4	11327021	弹簧	Spring	1	1	1
29-5	113520006	内六角花型轴位螺钉 M2	Screw	1	1	1
29-6	13813030	夹线盖板	Blind flange	1	1	1
29-7	11328030	夹线垫片	Washer	1	1	1
29-8	11302026	夹线不锈钢芯子	Peg	1	1	1
29-9	1383002700-01	电磁铁线圈	Magnet coil	1	1	1
29-10	11303036	铜套	Copper sheathing	1	1	1
30	101517002	螺钉 SM11/64×40 L=5	Screw SM11/64×40 L=5	2	2	2
31-1	13515001	针板	Needle plate	1		
31-2	13515004	针板	Needle plate			1
31-3	13515005	针板	Needle plate		1	
32	113514020	螺钉 SM11/64×40×6	Screw SM11/64×40×6	1	1	1
33	11422062	密封垫	Gland	1	1	1
34	101511025	螺钉 SM11/64×40×7	Screw SM11/64×40×7	2	2	2
35	13512001	卷边器座	Beader pedestal	1	1	1
36	95211058	电机绝缘防护罩	Motor insulation shield	1	1	1
37	11473301900	光电伺服电机	Motor	1	1	1
38	W02058	弹簧垫圈	Spring washer	4	4	4
39	S05083	螺钉 M5×30	Screw M5×30	4	4	4
40	11473303000	功能型电控	Machine electric control	1	1	1
41	114513001	螺钉 M5×20	Screw M5×20	2	2	2
42	S05901	螺钉 M5×50	Screw M5×50	2	2	2
43	114713016	下线勾	Nest less e-device	1	1	1
44	11473002400	一体机电控面板组件	Control panel	1	1	1

1.机壳、外装分组件/Machine frame & cover components

序号 NO.	公司件号 Part NO.	名称 PartName	零件描述 Description	数量 Number		
				H7-C	H7-CXB	H7-CST
45	138505001	操作面板螺钉	Screw M3 L=12	2	2	2
46	13822001	操作屏孔塞	Rubber plug	2	2	2
47	S04035	螺钉 M4×6	Screw M4×6	4	4	4
48	101S11001	螺钉 SM3/16×28 L=9	Screw SM3/16×28 L=9	2	2	2
49	112811005	松线电磁铁外罩	Loose wire electromagnet external	1	1	1
50	11473002600	松线电磁铁组件	Loose wire electromagnet assembly	1	1	1
51	114712029	松线电磁铁安装板	Loose wire electromagnet mounting plate	1	1	1
52	101S11005	螺钉 SM9/64×40×6	Screw SM9/64×40×6	1	1	1
53	115008001	电机防尘套	Motor dust jacket	1	1	1
54	S10005	内六角凹端紧定螺钉 M3×3	Screw M3×3	2	2	2
55	114208002	松线钉挡圈	Loose pin retaining ring	1	1	1
56	201S14002	螺钉 SM11/64×40×5	Screw SM11/64×40×5	2	2	2
57	115026002	电控罩壳销	Pin	1	1	1
58	13812109	侧盖固定板	Fixed plate	1	1	1
59	S04010	螺钉 M4×5.5	Screw M4×5.5	1	1	1
60	138S30007	A4-0185 侧盖螺钉	Screw	1	1	1
61	H05002	卡簧 3	Circlip 3	1	1	1

2.上轴挑线分组件/Main shaft & thread take-up components

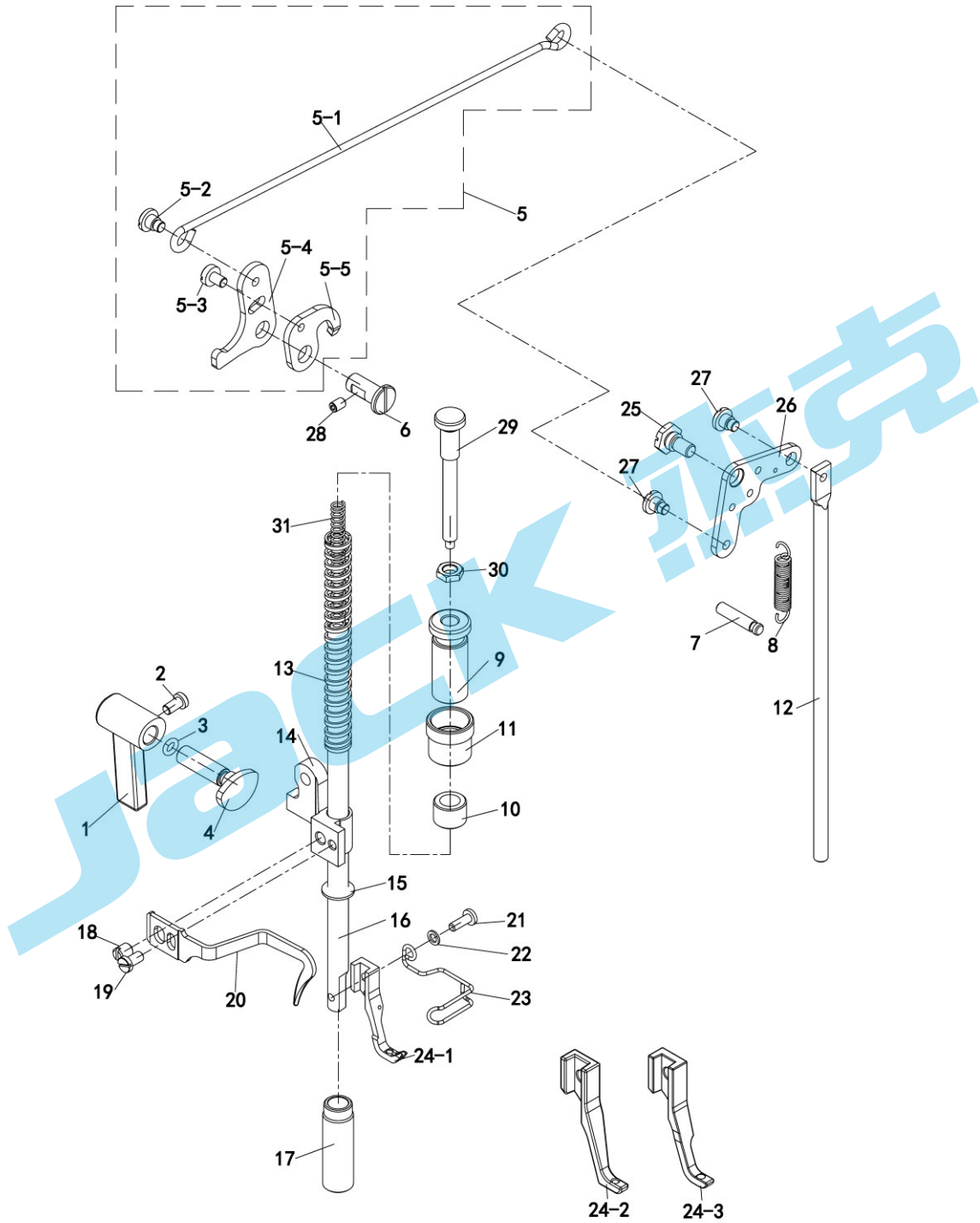


2.上轴挑线分组件/Main shaft & thread take-up components						
序号 NO.	公司件号 Part NO.	名称 PartName	零件描述 Description	数量 Number		
				H7-C	H7-CXB	H7-CST
1	114702035	上轴	Main shaft	1	1	1
2	10122012	上轴橡皮塞	Rubber plug	1	1	1
3	10108003	上轴紧圈	Shaft washer	1	1	1
4	101515002	螺钉 SM1/4×40×6	Screw SM1/4×40×6	2	2	2
5	13603023	上轴前轴套	Main shaft bushing front	1	1	1
6	13503017	上轴中轴套	Main shaft bushing middle	1	1	1
7	135515006	螺钉 SM15/64×28	Screw SM15/64×28	1	1	1
8	114703018	上轴后轴套	Main shaft bushing back	1	1	1
9	13522010	上轴后轴套油封组件	Bushing back oil seal assy	1	1	1
10	14735002	主动轮	Capstan	1	1	1
11	510009	主动轮螺钉 M6×8	Capstan screw M6×8	2	2	2
12	1353800200	挑线杆组件	Thread take-up assy	1	1	1
12-1	101511005	螺钉 SM9/64×40×6	Screw SM9/64×40×6	1	1	1
12-2	13505002	针杆接头	Needle bar connection	1	1	1
12-3	101517001	挑线曲柄螺钉(左旋)	Screw	1	1	1
12-4	13505003	针杆连杆	Needle bar connecting rod	1	1	1
12-5	10124001	挑线杆滚针轴承	Needle bearing	2	2	2
12-6	13504002	挑线杆曲柄	Thread take-up crank	1	1	1
12-7	13538004	挑线杆	Thread take-up rod	1	1	1
12-8	13538003-02	挑线杆衬套	Thread take-up bushing	1	1	1
12-9	13538002	挑线连杆	Thread take-up connecting rod	1	1	1
12-10	13502003	挑线连杆铰链销	Pin	1	1	1
13	135515009	螺钉 SM15/64×28	Screw SM15/64×28	1	1	1
14	114704013	针杆曲柄	Needle bar crank	1	1	1
15	101515002	螺钉 SM1/4×40×6	Screw SM1/4×40×6	1	1	1
16	101515007	螺钉 SM1/4×40×8	Screw SM1/4×40×8	1	1	1
17	101515004	螺钉 SM9/32×28×16	Screw SM9/32×28×16	1	1	1
18	135511002	螺钉 SM9/32×28	Screw SM9/32×28	1	1	1
19	14703006	针杆上衬套	Needle bar upper bushing	1	1	1
20	40322014	针杆上衬套橡皮塞	Upper bushing rubber plug	1	1	1
21	13503007	针杆下衬套	Needle bar lower bushing	1	1	1
22	14735001	驱动轮	BTW-DRIVING-WHEEL	1	1	1
23	13602002	针杆	Needle bar	1	1	1
24	13513011	针杆过线环	Needle bar thread ring	1	1	1
25	114717003	机针(DP×17 21#)	Needle(DP×17 21#)	1	1	
	11617002	机针(DP×5 14#)	Needle(DP×5 14#)			1
26	101511006	螺钉 SM1/8×44 L=4.5	Screw SM1/8×44 L=4.5	1	1	1
27	13609001	滑块槽	Slider trough	1	1	1
28	11409001	针杆接头滑块	Connection slider	1	1	1
29	101511008	滑块导轨螺钉 SM11/64×40×8	Slider guide rail screw SM11/64×40×8	2	2	2
30	10112003	垫片	Washer	1	1	1
31	114723001	针杆上毡塞	Oil felt for needle bar	1	1	1
32	114710013	上轴平衡块	Upper axis counterweigh	1	1	1

2.上轴挑线分组件/Main shaft & thread take-up components						
序号 NO.	公司件号 Part NO.	名称 PartName	零件描述 Description	数量 Number		
				H7-C	H7-CXB	H7-CST
33	101S14001	偏心轮固定螺钉	Eccentric set screw SM1/4×40×6	2	2	2
34	13523001	毛毡	Oil felt for needle bar	1	1	1
35	114713006	电线固定夹	Clamps	2	2	2
36	101S11004	螺钉 SM3/16×28×7	Screw SM3/16×28×7	2	2	2
37	S10035	螺钉 M5×8	Screw M5×8	2	2	2

Jack 杰克

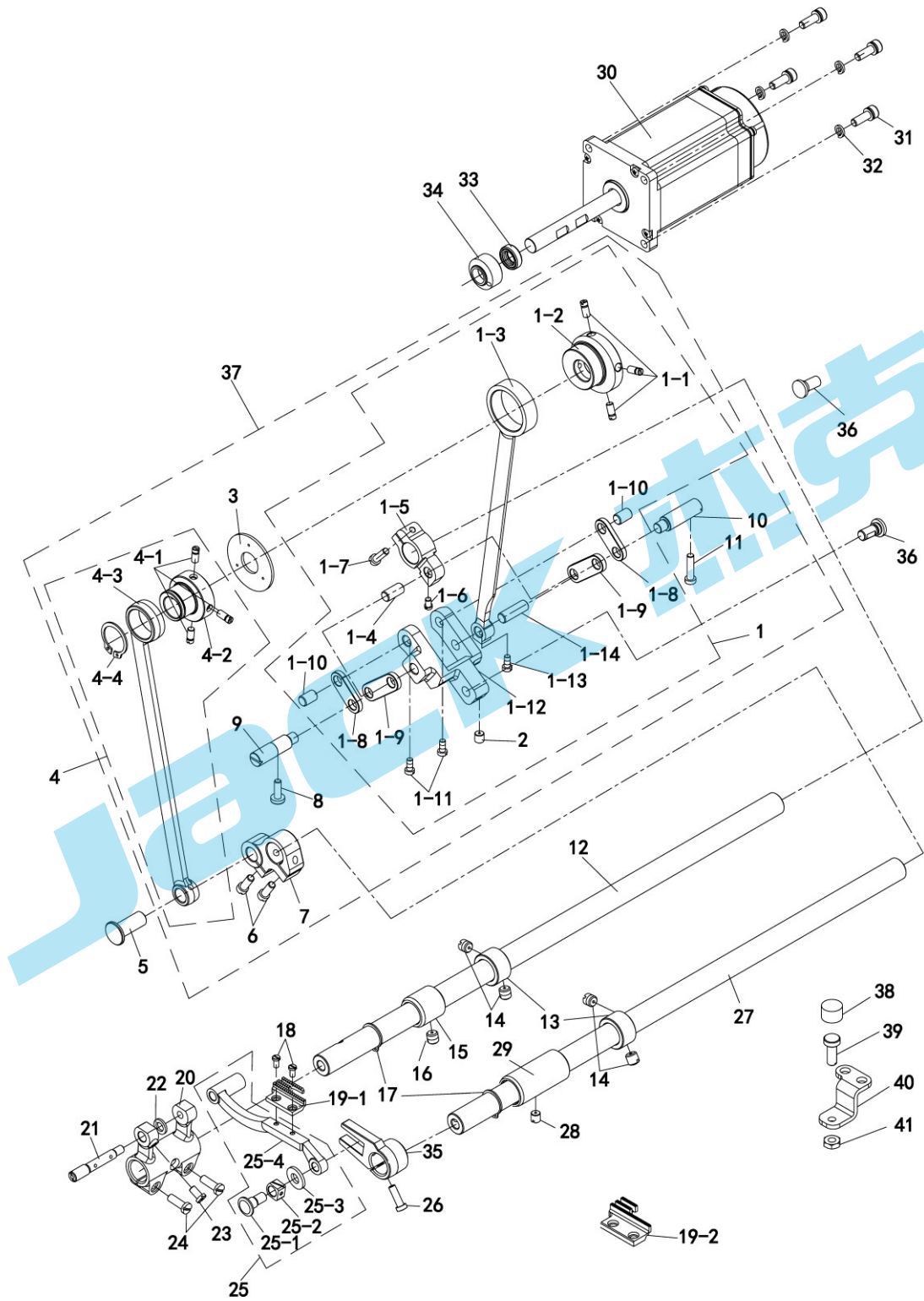
3.压料分组件/Presser components



3.压料分组件/Presser components

序号 NO.	公司件号 Part NO.	名称 PartName	零件描述 Description	数量 Number		
				H7-C	H7-CXB	H7-CST
1	14711005	压脚扳手	Presser foot wrench	1	1	1
2	101511008	螺钉 SM11/64×40×8	Screw SM11/64×40×8	1	1	1
3	001009	O 型圈 4.5×1.8	O-ring 4.5×1.8	1	1	1
4	13510004	压紧杆提升凸轮	Presser bar lifting cam	1	1	1
5	11471204400	膝控提升杠杆(左)组件	Knee lifter lever (left)assy	1	1	1
5-1	114712043	膝控提升拉杆	Knee lifter rod	1	1	1
5-2	135511027	螺钉 SM3/16×28	screw SM3/16×28	1	1	1
5-3	135511026	螺钉 SM11/64×40	Screw SM11/64×40	1	1	1
5-4	114712036	膝控提升杠杆(左)	Knee lifter lever (left)	1	1	1
5-5	114710011	松线凸轮	Tension releasing cam	1	1	1
6	114726007	松线凸轮销	Ension releasing cam melt	1	1	1
7	13526005	弹簧销	Pin for spring	1	1	1
8	13527010	膝腔提升杠杆(右)弹簧	Presser spring	1	1	1
9	1147NS30006	螺钉 M15×1	Screw M15×1	1	1	1
10	114709002	调压螺钉导套	Guide bushing	1	1	1
11	1147NS16003	螺母 M15×1	Nut M15×1	1	1	1
12	114711010	膝控提升杠杆	Knee lifter lever	1	1	1
13	13527011	压紧杆弹簧	Presser spring	1	1	1
14	114709001	压紧杆导架(加轴承)	Presser bar lifting bracket	1	1	1
15	30122022	压脚轴碟形密封圈	Gasket	1	1	1
16	13502019	压紧杆	Presser bar	1	1	1
17	114703012	压紧杆轴套	Presser bar bushing	1	1	1
18	101515006	螺钉 SM15/64×28×7	Screw SM15/64×28×7	1	1	1
19	101511008	螺钉 SM11/64×40×8	Screw SM11/64×40×8	1	1	1
20	114713002	大线勾	Thread guide	1	1	1
21	101511009	螺钉 SM9/64×40×10.5	Screw SM9/64×40×10.5	1	1	1
22	13528007	小压脚螺钉垫片	Washer	1	1	1
23	13512017	防护勾	Defend hook	1	1	1
24-1	13516001	小压脚	Presser foot complete	1		
24-2	13516004	小压脚	Presser foot complete			1
24-3	114716006	小压脚	Presser foot complete		1	
25	135512002	螺钉 SM15/64×28	Screw SM15/64×28	1	1	1
26	114712039	膝控提升杠杆(右)	Knee lifter lever (right)	1	1	1
27	135511027	螺钉 SM3/16×28	Screw SM3/16×28	2	2	2
28	113514020	螺钉 SM11/64×40×6	Screw SM11/64×40×6	1	1	1
29	1147NS10002	螺钉 SM5/16×28	Screw SM5/16×28	1	1	1
30	1147NS16002	螺母 SM5/16×28	Nut SM5/16×28	1	1	1
31	14727012	辅助调压弹簧	Presser spring	1	1	1

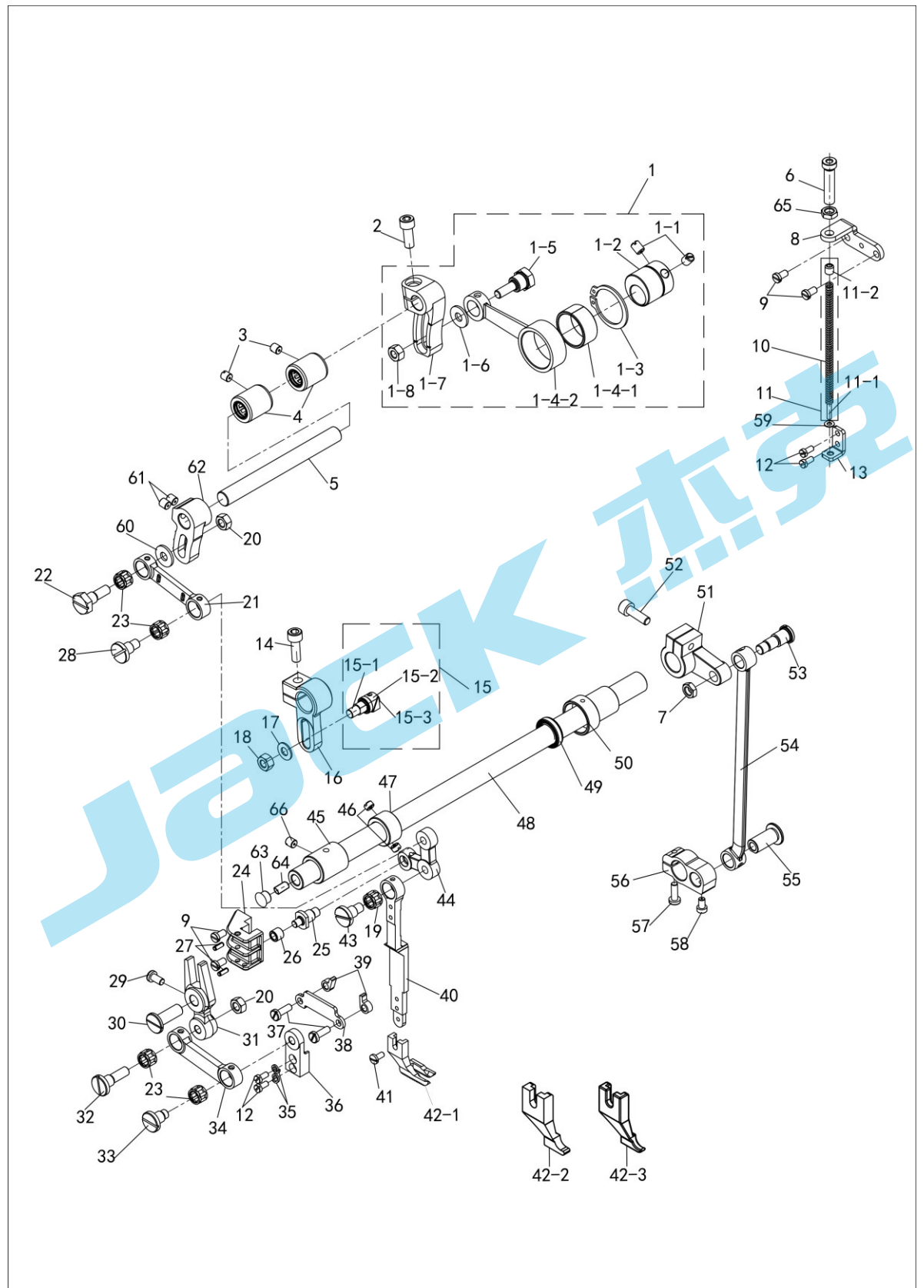
4.送料分组件/Feed mechanism components



4.送料分组件/Feed mechanism components						
序号 NO.	公司件号 Part NO.	名称 PartName	零件描述 Description	数量 Number		
				H7-C	H7-CXB	H7-CST
1	11470503800	送布连杆组件	Rocker shaft connecting rod assy	1	1	1
1-1	135S15007	送布凸轮螺钉	Screw	3	3	3
1-2	13510003	送布凸轮	Feed drive eccentric cam	1	1	1
1-3	13505005	送布连杆	Rocker shaft connecting rod	1	1	1
1-4	13526001	送布曲柄短销	Walking foot crank short pin	1	1	1
1-5	13504018	送布曲柄(右)	Feed rocker shaft crank assy	1	1	1
1-6	101S11025	螺钉 SM11/64×40×7	Screw SM11/64×40×7	1	1	1
1-7	409S11021	螺钉 SM11/64×40×14	Screw SM11/64×40×14	1	1	1
1-8	13505008	曲柄短连杆	connecting short link	2	2	2
1-9	13505007	曲柄长连杆	Crank long link	2	2	2
1-10	13526003	曲柄连杆短销	Crank connecting pin	2	2	2
1-11	201S11012	螺钉 SM9/64×40	Screw SM9/64×40	2	2	2
1-12	114704028	针距调节曲柄	Needle pitch adjusting link	1	1	1
1-13	209S14008	螺钉 SM11/64×40×4.5	Screw SM11/64×40×4.5	1	1	1
1-14	13502014	曲柄连杆长销	Crank connecting pin	1	1	1
2	S10002	螺钉 M5×5	Screw M5×5	1	1	1
3	13528002	凸轮隔离片	Thrust collar	1	1	1
4	11470503700	抬牙连杆组件	Connecting rod assy	1	1	1
4-1	135S15007	螺钉 SM11/64×40	Screw SM11/64×40	3	3	3
4-2	114710019	抬牙凸轮	Feed drive eccentric cam	1	1	1
4-3	114705036	抬牙连杆	Connecting rod	1	1	1
4-4	H03002	轴用弹性挡圈 20	Retaining ring	1	1	1
5	13502009	抬牙曲柄铰链轴	Hinge pin	1	1	1
6	201S11026	螺钉 SM3/16×32	Screw SM3/16×32	2	2	2
7	13504019	抬牙右曲柄	Feed lifting rock shaft crank(right)	1	1	
	13504017	抬牙右曲柄	Feed lifting rock shaft crank(right)			1
8	105S11019	螺钉 SM11/64×40 L=13	Screw SM11/64×40 L=13	1	1	1
9	114726014	针距调节曲柄定位销 (左)	Adjusting link fulcrum shaft	1	1	1
10	114726015	针距调节曲柄定位销 (右)	Adjusting link fulcrum shaft pin	1	1	1
11	114S11004	螺钉 SM11/64×40×18	Screw SM 11/64×40×18	1	1	1
12	13602003	送布轴	Feed rocker shaft	1	1	1
13	10108003	抬牙、送布轴紧圈	Thrust collar assy	2	2	2
14	101S15002	螺钉 SM1/4×40×6	Screw SM1/4×40×6	4	4	4
15	13603024	送布轴前轴套	Bushing for feed rock shaft(right)	1	1	1
16	135S15008	螺钉 SM15/64×28	Screw SM15/64×28	1	1	1
17	H03001	轴用弹性挡圈	Retaining ring	2	2	2
18	101S11018	螺钉 SM1/8×40 L=6	Screw SM1/8×40 L=6	2	2	2
19-1	13514001	送布牙	Feed dog	1		
19-2	13514002	送布牙	Feed dog		1	1
20	13504003	牙架曲柄	Feed crank assy	1	1	1
21	13502005	牙架曲柄偏心轴	Feed bar shaft	1	1	1
22	13528004	牙架垫圈	Washer	1	1	1

4.送料分组件/Feed mechanism components						
序号 NO.	公司件号 Part NO.	名称 PartName	零件描述 Description	数量 Number		
				H7-C	H7-CXB	H7-CST
23	101511008	螺钉 SM11/64×40×8	Screw SM11/64×40×8	1	1	1
24	101511016	螺钉 SM3/16×28 L=14	Screw SM3/16×28 L=14	2	2	2
25	1350700300	牙架组件	Feed bar assy	1	1	1
25-1	13502029	牙架连接销	Bracket connection pin	1	1	1
25-2	13509007	滑块	Slider	1	1	1
25-3	13528009	垫片	Washer	1	1	1
25-4	13507001	牙架	Feed bar assy	1	1	1
26	409511021	拾牙叉夹紧螺钉 SM11/64×40×14	Screw SM11/64×40×14	1	1	1
27	13602004	拾牙轴	Feed lifting rock shaft	1	1	1
28	135515009	拾牙轴前轴套螺钉 SM15/64×28	Screw SM15/64×28	1	1	1
29	13603005	拾牙轴前轴套	Bushing for feed rock shaft(right)	1	1	1
30	114733029	步进电机	Stepper motor	1	1	1
31	421513065	螺钉 M5×16	Screw M5×16	4	4	4
32	W03002	弹性垫圈	Sping washer	4	4	4
33	114922002	步进电机轴套油封	Stepper motor bushing oil seal	1	1	1
34	115003002	步进电机轴套	Stepper motor bushing	1	1	1
35	13505004	拾牙叉	Feed forked connection	1	1	1
36	114926001	针距曲柄销	Needle pitch crank pin	2	2	2
37	11470503500	拾牙、送布连杆组件	Rocker shaft connecting rod assy	1	1	1
38	114728003	缓冲垫	Cushion	1	1	1
39	136530002	止动螺钉 M6×16	Screw M6×16	1	1	1
40	114704027	限位板	limit plate	1	1	1
41	205516002	螺母 M6×3.5	Nut M6×3.5	1	1	1

5.上送料部件/Upper feed Parts



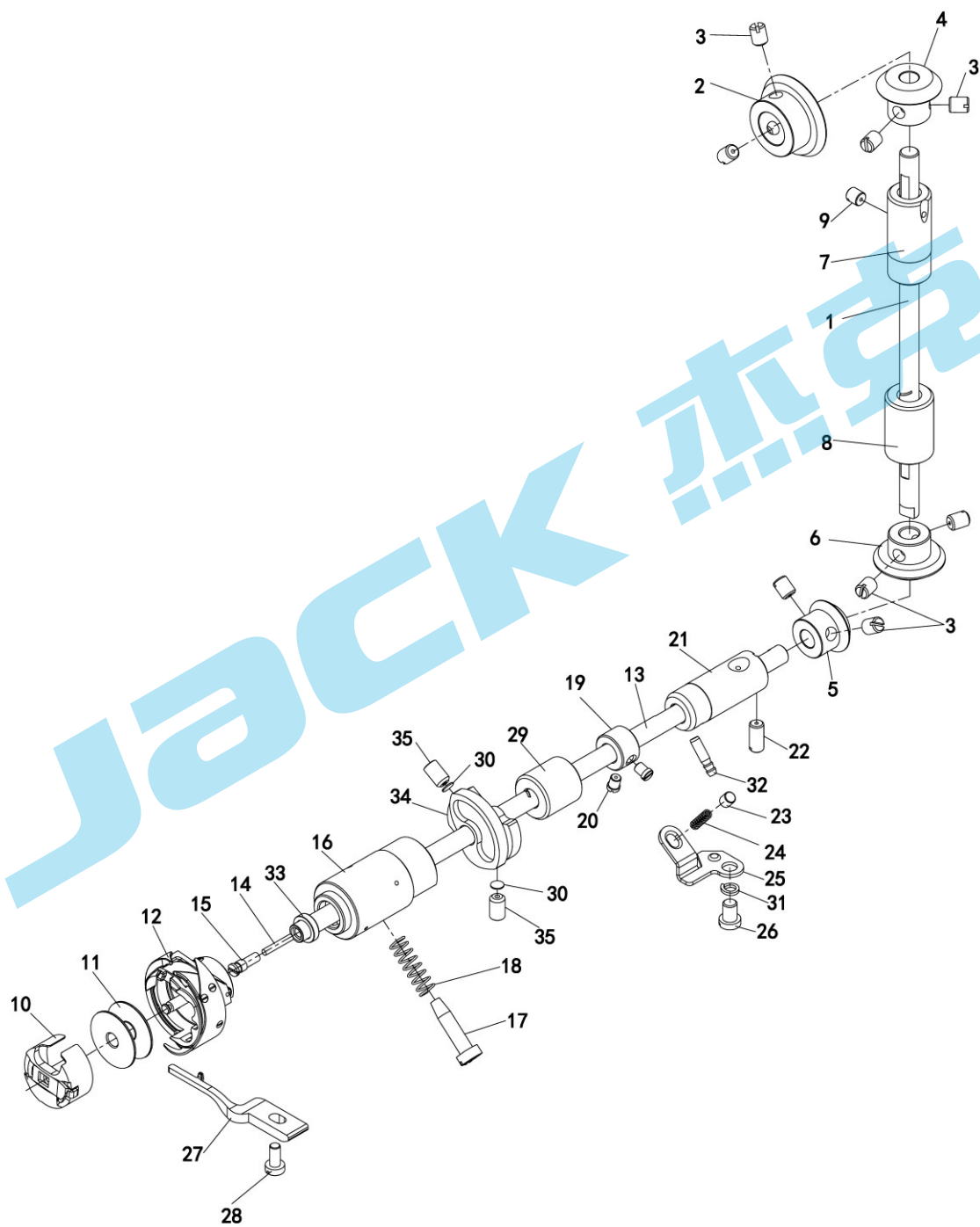
5.上送料部件/Upper feed Parts

序号 NO.	公司件号 Part NO.	名称 PartName	零件描述 Description	数量 Number		
				H7-C	H7-CXB	H7-CST
1	11470504100	连杆组件(DLC)	Connecting rod assy(DLC)	1	1	1
1-1	101515007	螺钉 SM1/4×40×8	Screw SM1/4×40×8	2	2	2
1-2	114710001	压脚升降偏心轮	Eccentric wheel	1	1	1
1-3	H03061	轴用弹性挡圈 24	Retaining ring 24	1	1	1
1-4	11470500300	连杆小组件	Connecting rod widget	1	1	1
1-4-1	114703001	提升连杆衬套	Bushing	1	1	1
1-4-2	114705001	提升连杆	Lifting link	1	1	1
1-5	1147NS20007	螺钉 M6×0.75(DLC)	Screw M6×0.75(DLC)	1	1	1
1-6	13528008	垫圈	Washer	1	1	1
1-7	13504013	偏心连杆调节曲柄	Presser lifting shaft	1	1	1
1-8	N02001	六角螺母 M6×0.75	Hex Nut M6×0.75	1	1	1
2	135511035	螺钉 SM1/4×24	Screw SM1/4×24	1	1	1
3	135515008	螺钉 SM15/64×28×6	Screw SM15/64×28×6	2	2	2
4	114703021	滚针轴承	Needle bearing	2	2	2
5	114702034	压脚升降轴	Presser lifting crank	1	1	1
6	1147NS30007	螺钉 SM9/32×28	Screw SM9/32×28	1	1	1
7	135516006	螺母 SM9/32×28	nut SM9/32×28	1	1	1
8	114712046	摆压脚调压螺钉架	Lifting presser bracket for spring	1	1	1
9	101511008	螺钉 SM11/64×40×8	Screw SM11/64×40×8	4	4	4
10	14727013	摆压脚调压杆弹簧	Lifting presser spring	1	1	1
11	1350202100	调压杆弹簧导柱	Presser spring guide	1	1	1
11-1	13502026	调压杆弹簧导柱杆	Presser spring guide rod	1	1	1
11-2	13502027	调压杆弹簧导柱套	Presser spring guide bushing	1	1	1
12	201511012	螺钉 SM9/64×40	Screw SM9/64×40	4	4	4
13	114712012	提升压脚导柱架	Lifting presser guide plate assy	1	1	1
14	402513011	螺钉 SM15/64×28×18	Screw SM15/64×28×18	1	1	1
15	11470901600	摆动轴左曲柄调节柱组件	Crank shaft complete asm(DLC)	1	1	1
15-1	142530011	摆动轴左曲柄调节柱	Crank shaft complete	1	1	1
15-2	114709015	曲柄调节柱滑块(DLC)	Slide block(DLC)	1	1	1
15-3	H05029	开口挡圈	Split ring	1	1	1
16	13504020	压脚摆动前曲柄	Presser swing shaft	1	1	1
17	11628005	抬牙叉固定螺钉垫圈	Washer	1	1	1
18	135516005	螺母 SM1/4×24	Nut SM1/4×24	1	1	1
19	10124001	滚针轴承	Needle bearing	1	1	1
20	135516004	螺母 SM1/4×40	Nut SM1/4×40	2	2	2
21	13505027	压脚送料曲柄连杆(加轴承)	Presser feed crank link	1	1	1
22	1147NS20004	螺钉 SM1/4×40	Screw SM1/4×40	1	1	1
23	10124001	滚针轴承	Needle bearing	4	4	4
24	13509004	提升压脚导位板	Lifting presser plate	1	1	1
25	1147NS30004	送料曲柄导柱轴(DLC)	Guide shaft(DLC)	1	1	1
26	13508004	提升压脚导柱轴滚柱	Needle of bearing	1	1	1
27	P03035	弹性圆柱销 3×8	Spring round pin 3×8	2	2	2

5.上送料部件/Upper feed Parts

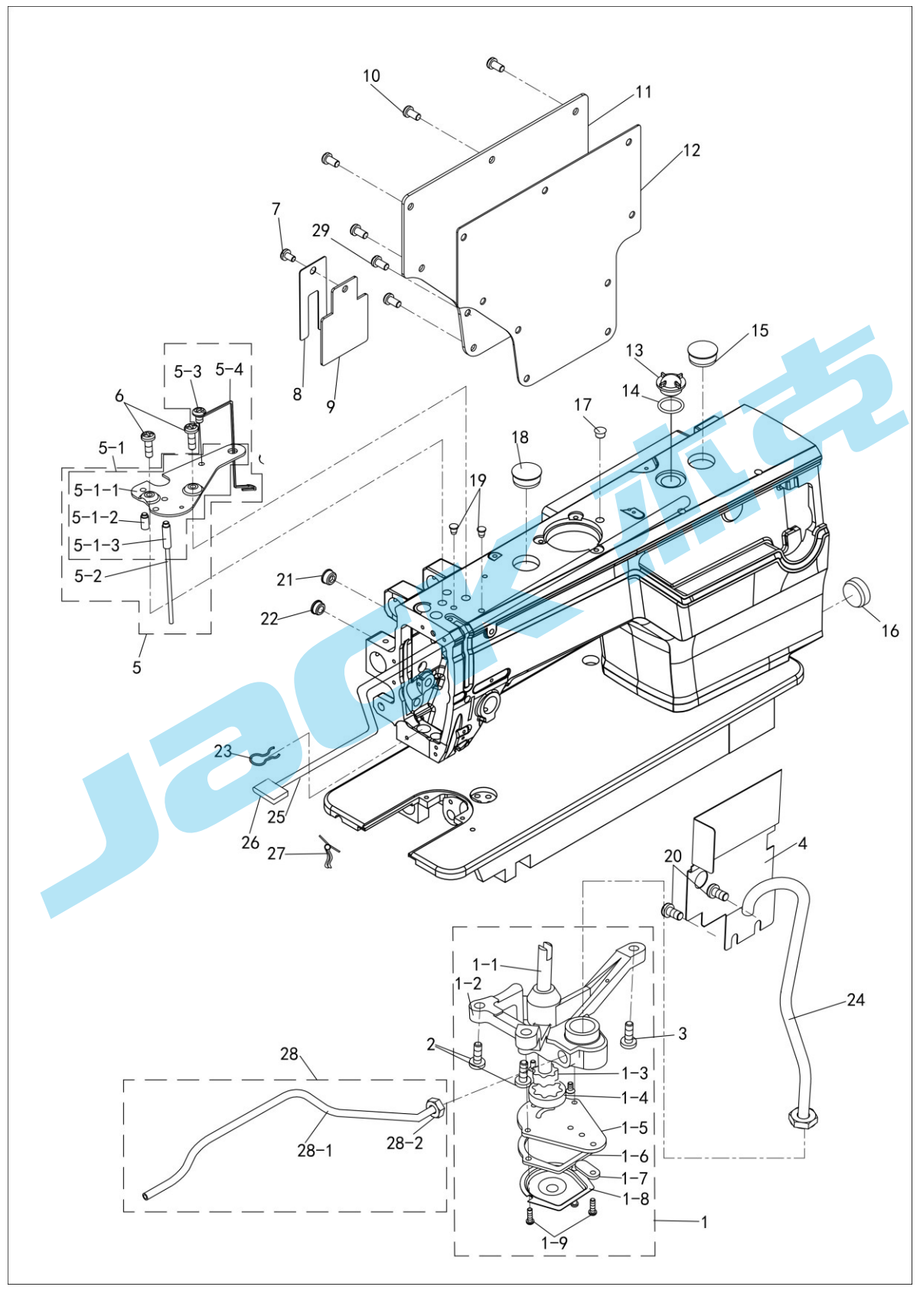
序号 NO.	公司件号 Part NO.	名称 PartName	零件描述 Description	数量 Number		
				H7-C	H7-CXB	H7-CST
28	1147NS20001	螺钉 SM1/4×40×7	Screw SM1/4×40×7	1	1	1
29	101S11001	螺钉 SM3/16×28 L=9	Screw SM3/16×28 L=9	1	1	1
30	114726017	摆压脚叉形杆销(DLC)	Pin(DLC)	1	1	1
31	13505030	摆压脚叉形杆(加轴承)	Fork lever	1	1	1
32	135520012	螺钉 SM1/4×40	Screw SM1/4×40	1	1	1
33	135520014	螺钉 SM1/4×40	Screw SM1/4×40	1	1	1
34	13505028	摆压脚连杆(加轴承)	Link of walking foot	1	1	1
35	W02002	垫圈 4	Washer 4	2	2	2
36	13601015	摆压脚杆座	Holder for walking foot bar	1	1	1
37	116511005	螺钉 SM11/64×40×13	Screw SM11/64×40×13	2	2	2
38	114712020	提升压脚连接压板	Lifting presser sway crank guide pin	1	1	1
39	114708001	压脚连杆压板垫块	Shim	2	2	2
40	114701040	摆压脚杆(加滚针)	Presser rod guide	1	1	1
41	135511030	螺钉 SM9/64×40	Screw SM9/64×40	1	1	1
42-1	13516002	摆压脚	Walking foot	1		
42-2	13516003	摆压脚	Walking foot			1
42-3	114716007	摆压脚	Walking foot		1	
43	1147NS20001	螺钉 SM1/4×40	Screw SM1/4×40	1	1	1
44	114704001	压脚送料曲柄(加轴承)	Presser feed crank	1	1	1
45	13508008	压脚摆动轴前轴套	Presser swing shaft front bushing (left)	1	1	1
46	135515004	螺钉 SM1/4×40×4	Screw SM1/4×40×4	2	2	2
47	13508009	紧圈	Shaft washer	1	1	1
48	13502023	压脚摆动轴	Presser swing shaft	1	1	1
49	115022016	摆动轴后套油封	Oil seal	1	1	1
50	13503014	压脚摆动轴中轴套	Presser swing middle shaft bushing (right)	1	1	1
51	13504023	压脚摆动后曲柄	Presser swing crank(right)	1	1	1
52	402S13011	螺钉 SM15/64×28×18	Screw SM15/64×28×18	1	1	1
53	135520005	螺钉 SM9/32×28	Screw SM9/32×28	1	1	1
54	114705032	摆压脚大连杆	Presser swing crank(right)rod	1	1	1
55	135520004	大连杆曲柄连接销	Pin	1	1	1
56	13504022	送布轴曲柄(中)	Feed rocker shaft crank middle	1	1	1
57	101S11025	螺钉 SM11/64×40×7	Screw SM11/64×40×7	1	1	1
58	116511005	螺钉 SM11/64×40×13	Screw SM11/64×40×13	1	1	1
59	W01002	平垫圈 3	Washer 3	1	1	1
60	13528008	垫圈	Washer	1	1	1
61	S10118	螺钉 M6×0.75×6	Screw M6×0.75×6	2	2	2
62	114704023	压脚升降前曲柄	Pressure foot lifting shaft	1	1	1
63	10122005	孔塞	Rubber plug	1	1	1
64	14123006	上轴毡塞	Oil felt for needle bar	1	1	1
65	1147NS16004	螺母 SM9/32×28	nut SM9/32×28	1	1	1
66	409S15004	螺钉 SM15/64×28×4	Screw SM15/64×28×4	1	1	1

6. 旋梭部件/Hook components



6.旋梭部件/Hook components						
序号 NO.	公司件号 Part NO.	名称 PartName	零件描述 Description	数量 Number		
				H7-C	H7-CXB	H7-CST
1	13502002	竖轴	Upright shaft	1	1	1
2	13525001	上轴伞齿轮	Gear asm	1	1	1
3	101515007	螺钉 SM1/4×40×8	Screw SM1/4×40×8	8	8	8
4	13525002	竖轴伞齿轮(上)	Gear asm	1	1	1
5	13525003	下轴伞齿轮	Pinion asm	1	1	1
6	13525004	竖轴伞齿轮(下)	Gear asm	1	1	1
7	13503018	竖轴轴套(上)	Bushing upper	1	1	1
8	13503019	竖轴轴套(下)	Uprising shaft bushing lower	1	1	1
9	135515008	螺钉 SM15/64×28	Screw SM15/64×28	1	1	1
10	13618001	梭心套组件	Hook asm	1	1	1
11	10818501	梭芯	Bobbin	1	1	1
12	13618007	旋梭(有尾)	Hook asm (with tail)	1	1	1
13	13602006	下轴	Hook driving shaft	1	1	1
14	10123003	下轴滤油塞	Oil wick	1	1	1
15	101530005	下轴限油螺钉 SM3/16×32	Screw SM3/16×32	1	1	1
16	13603008	下轴前轴套	Bushing front	1	1	1
17	135520008	螺钉 SM15/64×28	Screw SM15/64×28	1	1	1
18	13527005	油量调节弹簧	Spring	1	1	1
19	10108002	下轴紧圈	Thrust shrink collar asm	1	1	1
20	101511012	螺钉 SM11/64×40×4.8	Screw SM11/64×40×4.8	2	2	2
21	13603025	下轴后轴套	Bushing rear	1	1	1
22	135515006	螺钉 SM15/64×28	Screw SM15/64×28	1	1	1
23	13502008	柱塞	Plunger	1	1	1
24	13527006	柱塞弹簧	Plunger spring	1	1	1
25	13512009	档板	Guide plate	1	1	1
26	101511026	螺钉 SM15/64×28	Screw SM15/64×28	1	1	1
27	13512010	旋梭定位勾	Rotating hook positioner	1	1	1
28	101511011	螺钉 SM11/64×40×9.5	Screw SM11/64×40×9.5	1	1	1
29	13603026	下轴中轴套	Bushing middle	1	1	1
30	13628003	切线凸轮螺钉垫片	Washer	2	2	2
31	W02004	档板螺钉弹簧垫圈	Washer	1	1	1
32	13521001	下轴轴套油管	Oil pipe for hook shaft bushing	1	1	1
33	11522001	下轴油封	Plunger	1	1	1
34	13610003	切线凸轮	Thread trimmer cam	1	1	1
35	116514005	螺钉 SM1/4×40×10	Screw SM1/4×40×10	2	2	2

7. 润滑组件/Oil lubrication components

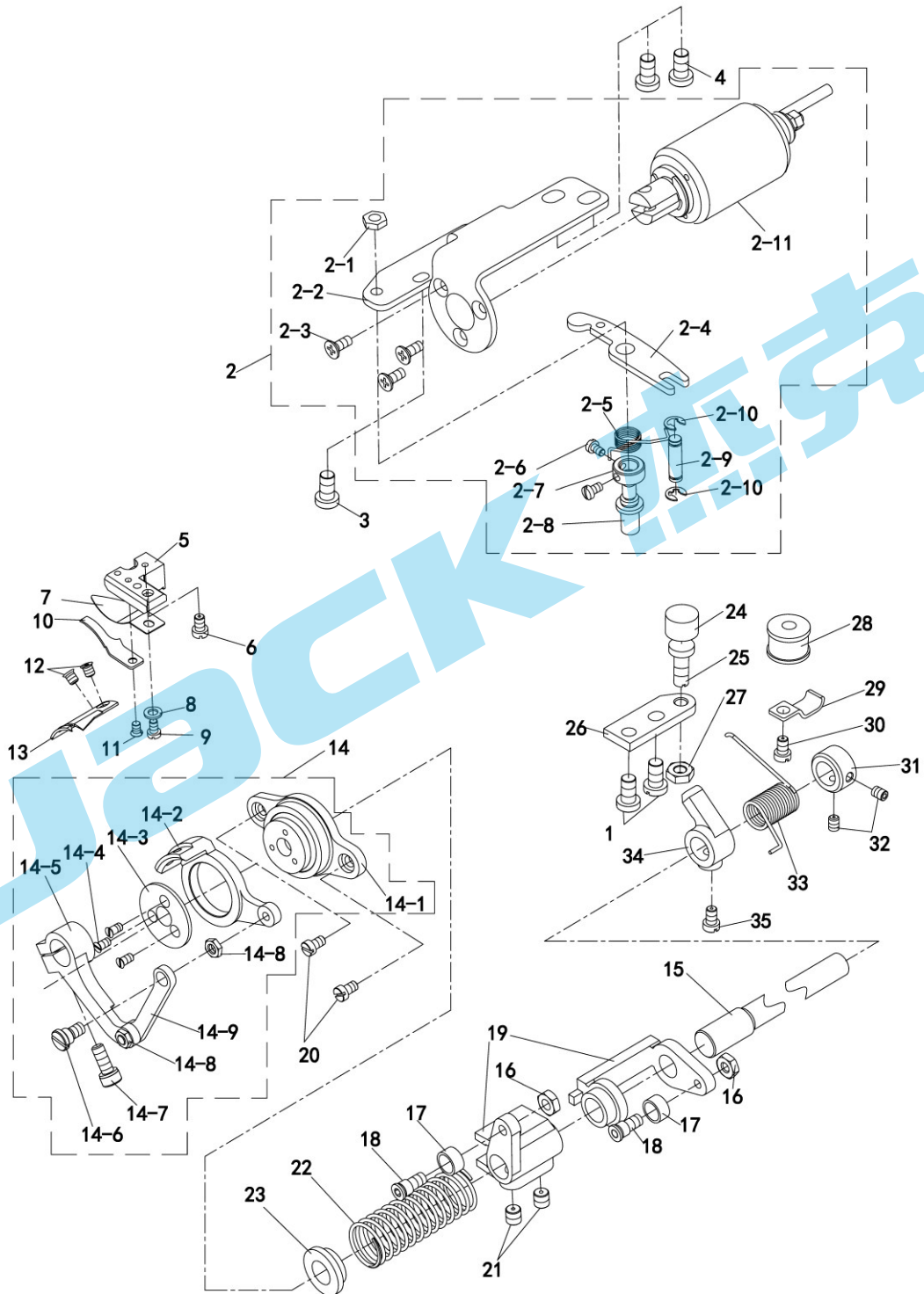


7.润滑组件/Oil lubrication components						
序号 NO.	公司件号 Part NO.	名称 PartName	零件描述 Description	数量 Number		
				H7-C	H7-CXB	H7-CST
1	1352000200	油泵组件	Oil pump asm	1	1	1
1-1	13502024	油泵体短轴	Shaft for oil pump	1	1	1
1-2	13520001	油泵体	Oil pump	1	1	1
1-3	13525006	油泵小齿轮	Small gear for oil pump	1	1	1
1-4	13525005	油泵大齿轮	Big gear for oil pump	1	1	1
1-5	13512021	油泵体盖板	Cover for oil pump	1	1	1
1-6	13512024	油泵滤网	Oil pump Filter	1	1	1
1-7	13512022	油泵调节板	Adjusting plate for oil pump	1	1	1
1-8	13512023	油泵滤网盖板	Oil pump Filter cover	1	1	1
1-9	135511037	螺钉 M3×10	Screw M3×10	5	5	5
2	105511019	螺钉 SM11/64×40×13	Screw SM11/64×40×13	2	2	2
3	105511019	螺钉 SM11/64×40×13	Screw SM11/64×40×13	1	1	1
4	13612023	挡油板	Keep off plate	1	1	1
5	1351202400	油线固定板大组件	Oil wick set plate complete	1	1	1
5-1	1351203200	油线固定板小组件	Oil line fixing plate widget	1	1	1
5-1-1	13512031	油线固定板	Oil line fixing plate	1	1	1
5-1-2	13521006	油线固定板油管(短)	Oil line fixing plate oil pipe(short)	1	1	1
5-1-3	13521005	油线固定板油管(长)	Oil line fixing plate oil pipe(long)	1	1	1
5-2	13523007	油线固定板油线	Oil line fixing plate oil line	1	1	1
5-3	101501010	复合槽螺钉 SM9/64×40×5	Screw SM9/64×40×5	1	1	1
5-4	13534001	油线固定勾	Oil line fixing hook	1	1	1
6	101511010	螺钉 SM9/64×40×11	Screw SM9/64×40×11	2	2	2
7	101511004	螺钉 SM3/16×28×7	Screw SM3/16×28×7	1	1	1
8	14712008	小挡油板	Keep off plate	1	1	1
9	14722011	小挡油板羊毛毡	Keep off plate wool felt	1	1	1
10	101511001	螺钉 SM3/16×28×9	Screw SM3/16×28×9	8	8	8
11	114712040	后盖板	Side plate	1	1	1
12	114722008	后盖板密封垫片	Gasket	1	1	1
13	10111004	油窗	Oil sight window	1	1	1
14	10122019	油窗 O 型圈	O-ring	1	1	1
15	13522008	橡皮塞(φ25.5)	Rubber plug(φ25.5)	1	1	1
16	13522004	橡皮塞(φ27)	Rubber plug(φ27)	1	1	1
17	10122005	挑线连杆销螺孔塞	Take-up link pin screw plug	1	1	1
18	13522008	面板橡皮塞(φ25.5)	Rubber plug(φ25.5)	1	1	1
19	13522005	橡皮塞(φ5.7)	Rubber plug(φ5.7)	2	2	2
20	112511014	螺钉 SM11/64×40×5.3	Screw SM11/64×40×5.3	2	2	2
21	12922001	橡皮塞(φ12.5)	Rubber plug(φ12.5)	1	1	1
22	13522002	面板橡皮塞(φ11.8)	Rubber plug(φ11.8)	1	1	1
23	114727007	回油毡压簧	Felt compression spring	1	1	1
24	1352100700	上轴油管组件	Upper shaft tubing assembly	1	1	1
25	12921002	回油管 φ3×φ4	Oil return pipeφ3×φ4	1	1	1
26	13523003	回油管滤油毡	Oil felt	1	1	1
27	10423005	油线 2.5x260/2.5x290	Oil wick	1	1	1
28	1362100100	下轴油管组件	Oil pipe for arm lower shaft	1	1	1

7. 润滑组件/Oil lubrication components						
序号 NO.	公司件号 Part NO.	名称 PartName	零件描述 Description	数量 Number		
				H7-C	H7-CXB	H7-CST
28-1	13621001	下轴油管	Oil pipe for lower shaft	1	1	1
28-2	13636001	下轴油管接头	Lower shaft Hose connector	1	1	1
29	101S11021	螺钉 SM3/16×28×9	Screw SM3/16×28×9	1	1	1

JACK 杰克

8.切线装置部件/Thread trimmer components

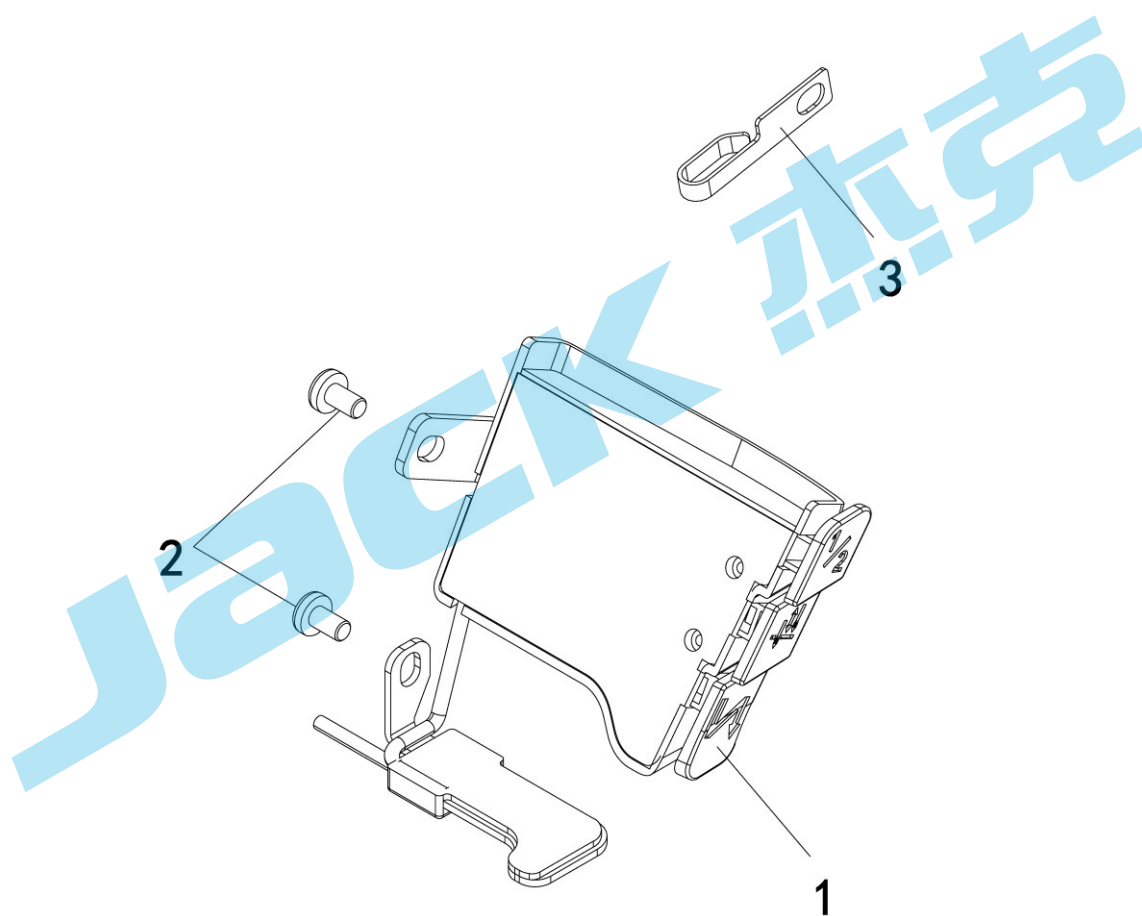


8.切线装置部件/Thread trimmer components

序号 NO.	公司件号 Part NO.	名称 PartName	零件描述 Description	数量 Number		
				H7-C	H7-CXB	H7-CST
1	201S11029	螺钉 SM15/64×28×11	Screw SM15/64×28×11	2	2	2
2	11473002500	剪线电磁铁大组件	Thread electromagnet drive assembly	1	1	1
2-1	114S16005	螺母 SM15/64×28	Nut SM15/64×28	1	1	1
2-2	13612012	剪线电磁铁安装架	Wire trimming electromagnet mounting bracket	1	1	1
2-3	407S17001	螺钉 M4×10	Screw M4×10	3	3	3
2-4	13612006	驱动板	Thread trimmer driving lever	1	1	1
2-5	13627004	驱动板弹簧	Spring	1	1	1
2-6	101S11005	螺钉 SM9/64×40×6	Screw SM9/64×40×6	2	2	2
2-7	30108004	驱动板轴紧圈	Shrink collar	1	1	1
2-8	13602007	驱动板轴	Shaft	1	1	1
2-9	13626005	剪线电磁铁销	Pin	1	1	1
2-10	H05012	挡圈	Ring	2	2	2
2-11	1363000100	剪线电磁铁传动组件	Wire cutting electromagnet drive assembly	1	1	1
3	101S11011	螺钉 SM11/64×40×9.5	Screw SM11/64×40×9.5	1	1	1
4	201S11029	螺钉 SM15/64×28×11	Screw SM15/64×28×11	2	2	2
5	13601007	定刀座	Bracket for fixed blade	1	1	1
6	101S11025	螺钉 SM11/64×40×7	Screw SM11/64×40×7	1	1	1
7	113812008	栏线板	Thread guide	1	1	1
8	13628011	栏线板垫片	Gasket	1	1	1
9	101S11005	螺钉 SM9/64×40×6	Screw SM9/64×40×6	1	1	1
10	13619001	定刀片	Fixed blade	1	1	1
11	113S17001	螺钉 SM9/64×40×6	Screw SM9/64×40×6	1	1	1
12	113S17002	螺钉 SM11/64×40×4.4	Screw SM11/64×40×4.4	2	2	2
13	13619002	动刀片	Movable knife (left)	1	1	1
14	1360100800	刀架组件	Knife holding bracket saddle asm	1	1	1
14-1	42209006	刀架	Knife holding bracket saddle	1	1	1
14-2	42204008	切线刀架 L	Knife base (left)	1	1	1
14-3	42212049	刀架垫圈	Washer	1	1	1
14-4	422S17006	螺钉 SM1/8×44×5.4	Screw SM1/8×44×5.4	3	3	3
14-5	13604001	剪线电磁铁驱动曲柄	Knife driving crank	1	1	1
14-6	422S20006	螺钉 SM11/64×40×5.5	Screw SM11/64×40×5.5	2	2	2
14-7	S05005	螺钉 M5×12	Screw M5×12	1	1	1
14-8	422S16002	螺母 SM11/64×40	Nut SM11/64×40	2	2	2
14-9	42205008	刀架连杆	Link	1	1	1
15	13602008	凸轮曲柄轴	Knife driving shaft	1	1	1
16	136S17005	滚轮螺母 SM3/16×28	Nut SM3/16×28	2	2	2
17	13609002	滚轮	Cam follower	2	2	2
18	136S20003	螺钉 SM3/16×28×8	Screw SM3/16×28×8	2	2	2
19	11360400300	左右曲柄组件	Left and right crank assembly	1	1	1
20	101S11025	螺钉 SM11/64×40×7	Screw SM11/64×40×7	2	2	2
21	136S14002	螺钉 SM15/64×28×6	Screw SM15/64×28×6	2	2	2
22	13627005	曲柄轴弹簧	Spring	1	1	1

8.切线装置部件/Thread trimmer components						
序号 NO.	公司件号 Part NO.	名称 PartName	零件描述 Description	数量 Number		
				H7-C	H7-CXB	H7-CST
23	13601010	扭簧端盖	Torsion spring end cap	1	1	1
24	114728003	缓冲垫	Cushion	1	1	1
25	136S30002	止动螺钉 M6×16	Screw M6×16	1	1	1
26	13612011	止动板	Stopper plate	1	1	1
27	205S16002	螺母 M6×3.5	Nut M6×3.5	1	1	1
28	114722006	电线单孔塞	Wire plug	1	1	1
29	12312011	电线固定夹	Cable clip	1	1	1
30	101S11025	螺钉 SM11/64×40×7	Screw SM11/64×40×7	1	1	1
31	20108001	凸轮轴紧圈	Thrusr tighten collar asm	1	1	1
32	113S14020	螺钉 SM11/64×40×6	Screw SM11/64×40×6	2	2	2
33	13627006	凸轮轴扭簧	Spring	1	1	1
34	114701033	限位块	Stopper	1	1	1
35	S10118	螺钉 M6×0.75×6	Screw M6×0.75×6	1	1	1

9.自动倒送料开关组件/Automatic reverse feed components

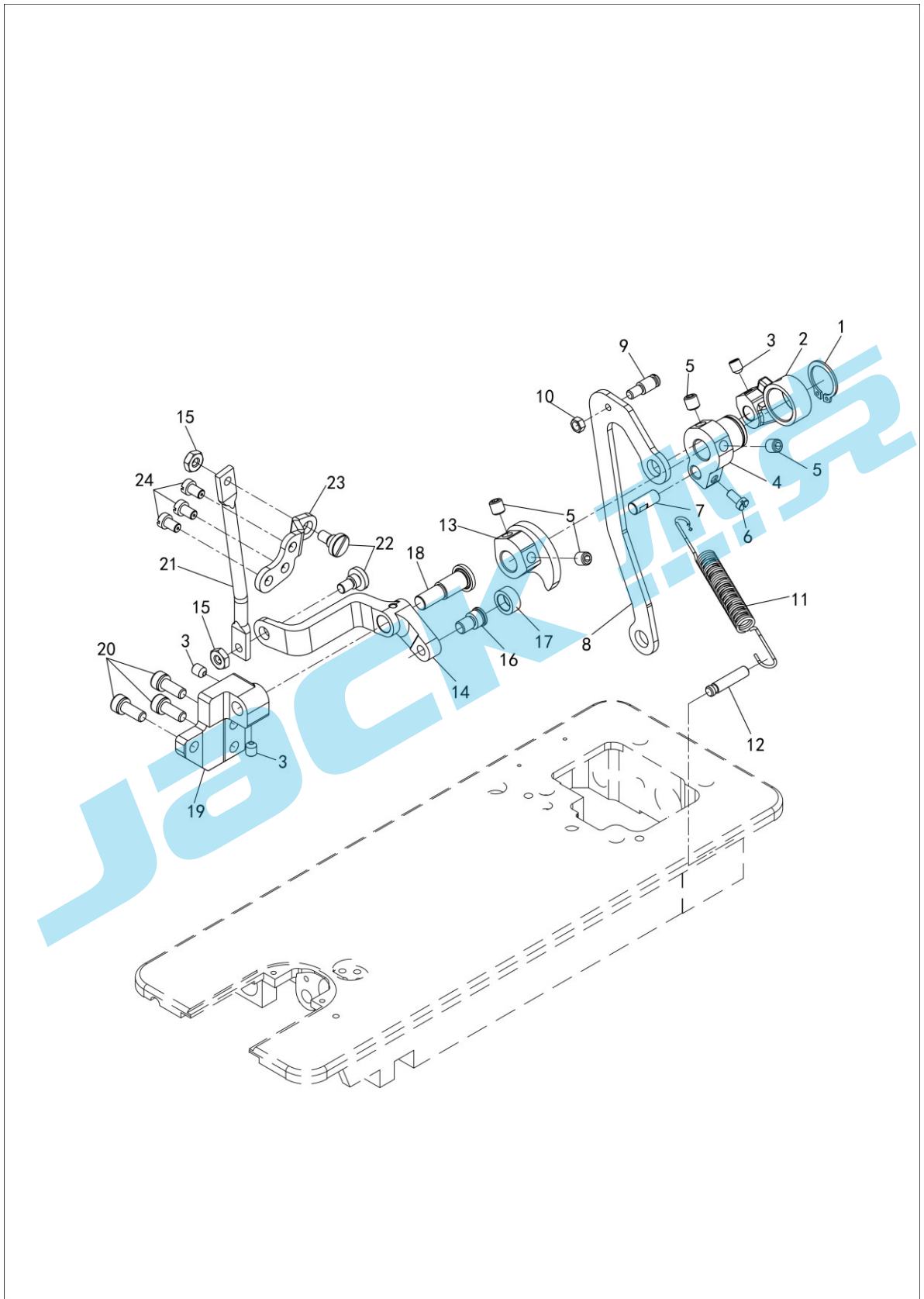


9.自动倒送料开关组件/Automatic reverse feed components

序号 NO.	公司件号 Part NO.	名称 PartName	零件描述 Description	数量 Number		
				H7-C	H7-CXB	H7-CST
1	11470104200	倒缝电磁铁开关组件	Switch assembly	1	1	1
2	101511004	螺钉 SM3/16×28×7	Screw SM3/16×28×7	2	2	2
3	114712047	油管固定架	Oil tube holder	1	1	1

JACK 杰克

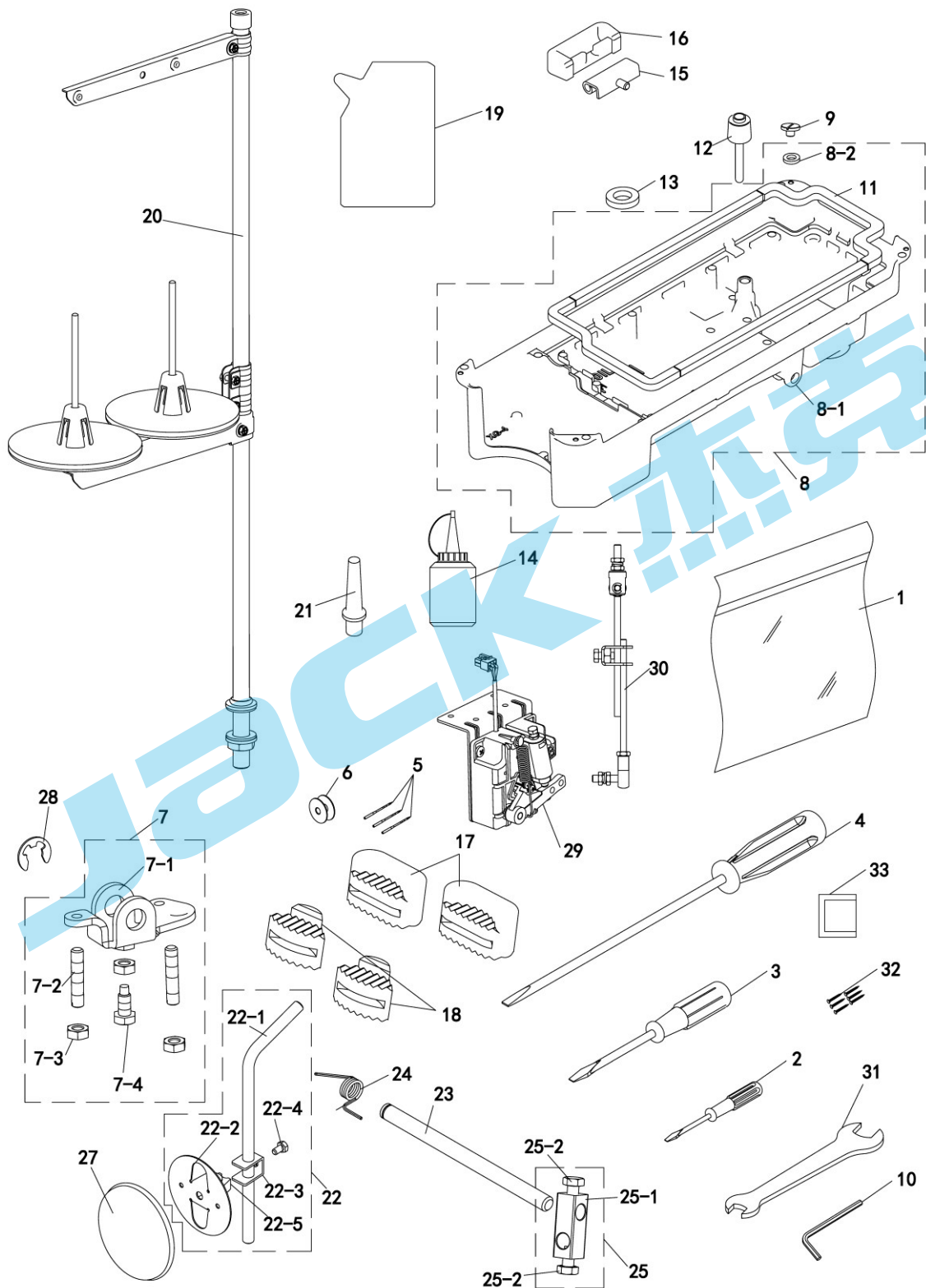
10.步进调调针距、抬压脚部件/Step adjustment needle distance, lifting foot parts



10.步进调调针距、抬压脚部件/Step adjustment needle distance, lifting foot parts

序号 NO.	公司件号 Part NO.	名称 PartName	零件描述 Description	数量 Number		
				H7-C	H7-CXB	H7-CST
1	H03034	轴用弹性挡圈 16	Retaining ring 16	1	1	1
2	114704024	针距曲柄	Needl gage crank	1	1	1
3	S10006	内六角凹端紧定螺钉 M5×6	Screw M5×6	3	3	3
4	114710017	针距凸轮	Needle pitch cam	1	1	1
5	S10118	螺钉 M6×0.75×6	Screw M6×0.75×6	4	4	4
6	201511012	螺钉 SM9/64×40	Screw SM9/64×40	1	1	1
7	114726016	针距凸轮销	Needl gage crank pin	1	1	1
8	114705033	调针距连杆	Needle pitch adjusting link	1	1	1
9	114530007	弹簧悬置螺钉 SM11/64×40×7.5	Screw SM11/64×40×7.5	1	1	1
10	114516004	螺母 SM11/64×40	Nut SM11/64×40	1	1	1
11	114727013	针距复位簧	Pitch reset spring	1	1	1
12	13526005	弹簧销	Pin for spring	1	1	1
13	114710018	抬压脚凸轮	Presser foot cam	1	1	1
14	114704025	抬压脚曲柄	Driving crank of presser foot	1	1	1
15	136517005	滚轮螺母 SM3/16×28	Nut SM3/16×28	2	2	2
16	1147NS20005	抬压脚滚轮螺钉 SM3/16×28	Screw SM3/16×28	1	1	1
17	114709013	抬压脚滚轮	Cam follower	1	1	1
18	115426002	抬压脚驱动曲柄销	Pin	1	1	1
19	114701039	曲柄安装架	Crank bracket for presser foot lifting	1	1	1
20	S05005	内六角圆柱头螺钉 M5×12	Screw M5×12	3	3	3
21	114704026	自动抬压脚顶杆	Automatic presser foot lifter	1	1	1
22	1150NS20001	抬压脚顶杆螺钉 SM11/64×40×6.5	ScrewSM11/64×40×6.5	2	2	2
23	114705034	杠杆连接板	Lever connecting plate	1	1	1
24	101511025	螺钉 SM11/64×40×7	Screw SM11/64×40×7	3	3	3

11. 机头附件/Machine head accessories



11.机头附件/Machine head accessories

序号 NO.	公司件号 Part NO.	名称 PartName	零件描述 Description	数量 Number		
				H7-C	H7-CXB	H7-CST
1	115031022	A5-1311 防尘罩	Machine head cover	1	1	1
2	10131004	螺钉起子(小)	Screw driver(small)	1	1	1
3	10131003	螺钉起子(中)	Screw driver(middle)	1	1	1
4	20731047	螺丝刀	Screw driver(large)	1	1	1
5	114717006	机针(DP×17 21#)(国产)	Needle(DP×17 21#)	10	10	
	11617002	机针(DP×5 14#)	Needle(DP×5 14#)			4
6	10818501	梭芯	Bobbin	2	2	2
7	1351203700	膝控限位架组件	Knee control limit frame assembly	1	1	1
7-1	13512036	膝控限位架	Knee lifter stop bracket	1	1	1
7-2	135515019	膝控限位调节螺钉 M6	Screw M6	2	2	2
7-3	N01029	调节螺母 M6	Nut M6	3	3	3
7-4	135512003	膝控限位架螺钉 M6	Screw M6	1	1	1
8	1350100900	油盘组件	Oil pan assembly	1	1	1
8-1	13501007	油盘	Oil reservoir	1	1	1
8-2	1350100900-01	放油螺钉垫圈	Washer	1	1	1
9	101511028	放油螺钉 SM5/16×24×7	Screw SM5/16×24×7	1	1	1
10	20131056	内六角扳手 5mm	Allen wrench 5mm	1	1	1
11	13523006	油盘垫	Gasket	1	1	1
12	114711009	膝控提升顶杆	Knee press lifter rod	1	1	1
13	10131001	磁块	Magnet	1	1	1
14	20131038	小油壶	Oil pot	1	1	1
15	1011203100	机壳铰链	Rubber coat	2	2	2
16	10122060	机壳铰链套	Hing	2	2	2
17	113522001	机头防震垫块(大)	Cushion(big)	2	2	2
18	10122022	机头防震垫块(小)	Cushion(small)	2	2	2
19	113511001	油袋(600ml)(10#)	Oil bag (600ml)(10#)	1	1	1
20	11023100400	线架组件	Spool stand complete	1	1	1
21	10111011	机头支柱	Frame support bar	1	1	1
22	1351203800	膝控操纵杆组件	Joystick assembly	1	1	1
22-1	13512038	膝控碰块弯杆	Bent rod	1	1	1
22-2	10112029	膝控碰块	Bell	1	1	1
22-3	10112030	碰块架	Bell bracket	1	1	1
22-4	101512004	碰块架螺钉 M6×11	Screw M6×11	1	1	1
22-5	10122025	操作杆垫	Operation lever pad	1	1	1
23	13502025	膝控铰链轴	Hinge pin	1	1	1
24	13527014	膝控复位弹簧	Spring	1	1	1
25	11471001600	膝控操纵杆接头组件	Connector	1	1	1
25-1	114710016	膝控操纵杆接头	Connector	1	1	1
25-2	L020004	外六角螺钉 M8×12	Screw M8×12	2	2	2
27	10122024	碰块垫	Mat	1	1	1
28	H05010	开口挡圈	Split stop ring	1	1	1
29	11023001700	电控脚踏	Electric control pedal	1	1	1
30	11543100300	脚踏连杆	Pedal connecting rod	1	1	1

11.机头附件/Machine head accessories

序号 NO.	公司件号 Part NO.	名称 PartName	零件描述 Description	数量 Number		
				H7-C	H7-CXB	H7-CST
31	114712003	开口扳手(14-10)	Open wrench	1	1	1
32	101S30010	鞋钉 P19	Studs P19	6	6	6
33	113831011	干燥剂(25g)	Desiccant (25g)	1	1	1

JACK 杰克

成套智联 让服装智造无限可能



杰克股份官方微信



杰克股份官方抖音



杰克资料库



参观杰克

400-8876-858
www.chinajack.com

杰克科技股份有限公司
中国浙江省台州市椒江区三甲东海大道东段1008号
电话: 0086-0576-8817788 8817789

JACK TECHNOLOGY CO.,LTD.
NO.1008 DONGHAI AVENUE EAST,JIAOJIANG
DISTRICT, TAIZHOU CITY,ZHEJIANG PROVINCE CHINA.
TEL: 0086-0576-8817788 8817789