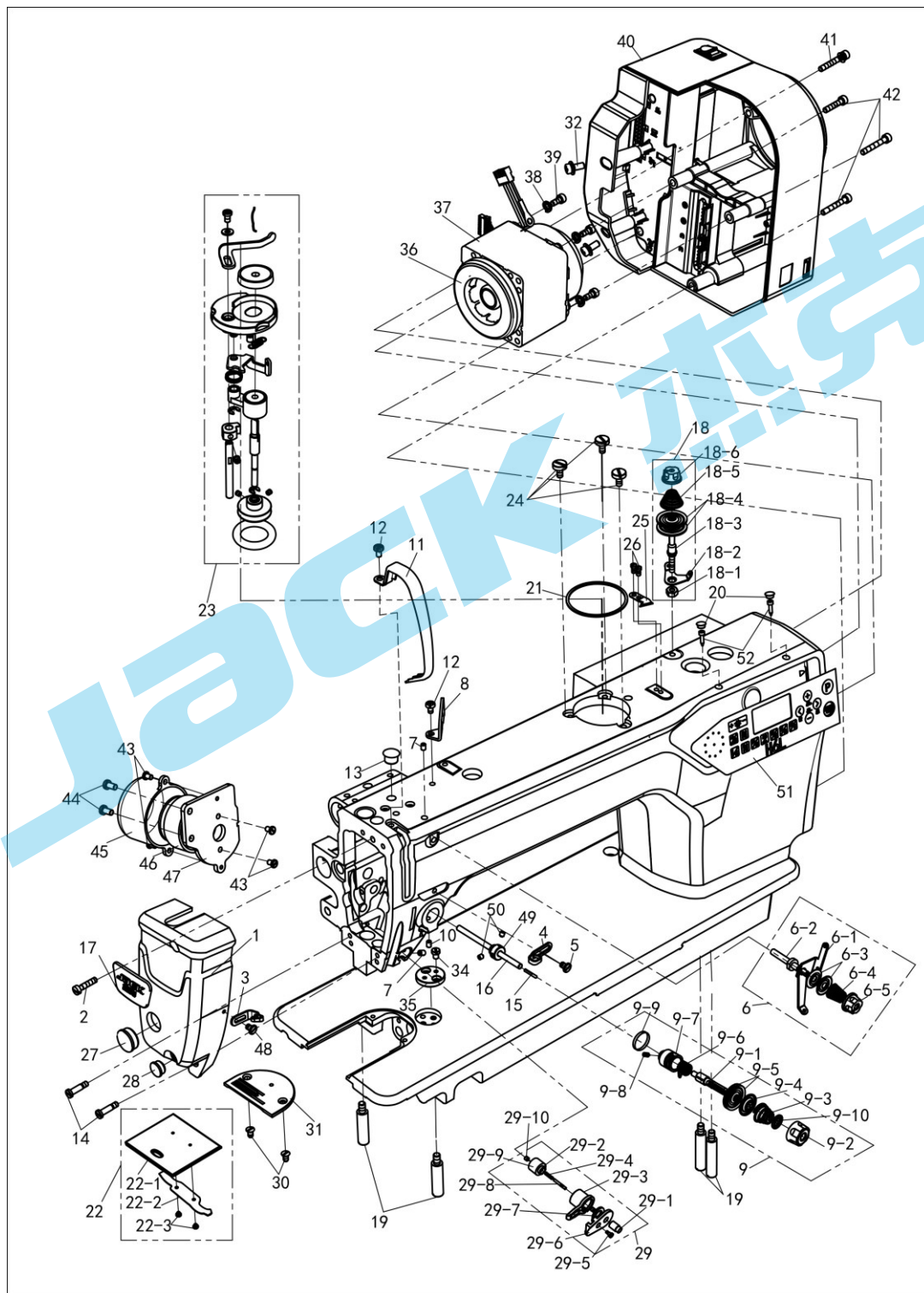


快速服务 100%

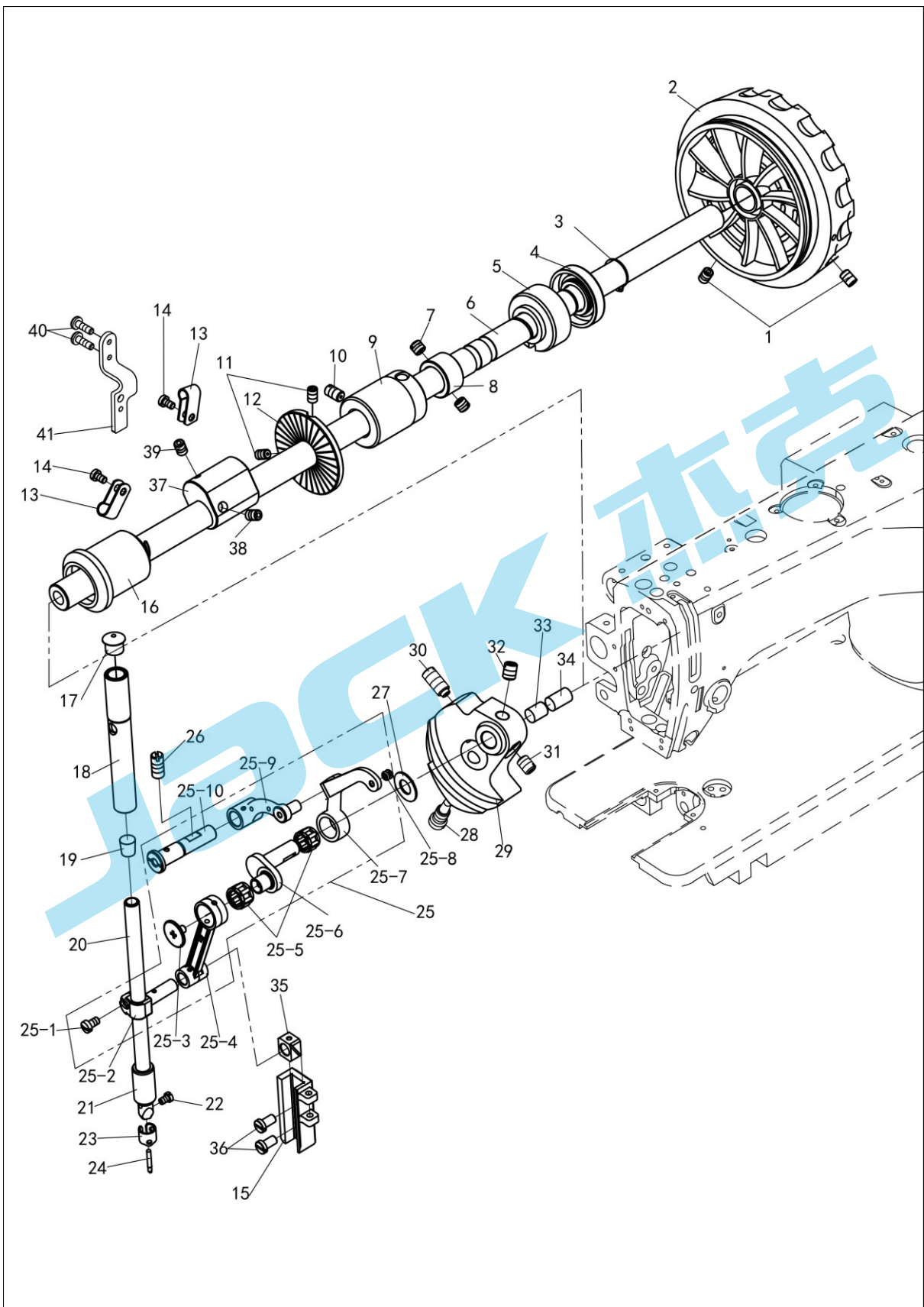
1.机壳、外装分组件/Machine frame & cover components



1.机壳、外装分组件/Machine frame & cover components					
序号 NO.	公司件号 Part NO.	名称 PartName	零件描述 Description	数量 Number	
				CZ-3	H6L+
1	114701019	面板	Panel	1	1
2	201511025	面板螺钉 SM11/64×40	Panel screw SM11/64×40	1	1
3	10113004	面板线勾	Panel thread guide	1	1
4	10113004	右线钩	Panel thread guide (right)	1	1
5	101511007	螺钉 SM11/64×40×6	Screw SM11/64×40×6	1	1
6	1411300400	小夹线器组件	Small thread tension assay	1	1
6-1	13812066	过线板	Thread tension guide plate	1	1
6-2	13810008	小夹线器螺柱	Thread tension bolt	1	1
6-3	14112017	小夹线板	Thread tension disk	2	2
6-4	11227001	小夹线弹簧	Thread tension spring	1	1
6-5	141516019	小夹线器螺母	Thread tension nut	1	1
7	113514020	小夹线固定螺钉	Set screw	2	2
8	13512004	三孔线勾	3-hole thread guide	1	1
9	11471300100	夹线组件	Thread tension assay	1	1
9-1	1147NS30001	夹线螺钉	Thread tension screw	1	1
9-2	141516013	夹线螺母	Thread tension nut	1	1
9-3	14227024	夹线弹簧	Thread tension spring	1	1
9-4	10112006	松线板	Tension releasing board	1	1
9-5	14112015	夹线板	Thread tension disk	2	2
9-6	114727001	挑线簧	Take-up spring	1	1
9-7	13513006	夹线调节座	Thread tension retainer	1	1
9-8	135515002	夹线调节座螺钉	Screw	1	1
9-9	001050	O 型圈	O ring 14.5x1.5	1	1
9-10	10112007	夹线螺母止动板	Thread tension nut locking plate	1	1
10	136514002	螺钉 SM15/64×28	Screw SM15/64×28	1	1
11	14712018	挑线杆防护罩	Thread take-up lever cover	1	1
12	101511004	螺钉 SM3/16×28×7	Screw SM3/16×28×7	2	2
13	10122005	挑线连杆销螺孔塞	Take-up link pin screw plug	1	1
14	135511047	面板螺钉 SM11/64×40	Panel screw SM11/64×40	2	2
15	14726002	松线钉	Thread release pin	1	1
16	114713011	松线棒	Thread release bar	1	1
17	115037001	商标牌	trademark	1	1
18	1411300600	绕线夹线器	Bobbin winder thread tension	1	1
18-1	114516001	螺母 SM11/64×40	Nut SM11/64×40	1	1
18-2	11413022	夹线过线板	Thread tension guide plate	1	1
18-3	112513004	夹线螺钉	Screw	1	1
18-4	14112015	夹线板	Thread tension disk	2	2
18-5	11427006	小夹线弹簧	Spring	1	1
18-6	141516019	夹线螺母	Thread tension nut	1	1
19	101512001	底板支柱	Base plate pillar	4	4
20	13822001	操作屏孔塞	Rubber plug	2	2
21	11422062	密封垫	Gland	1	1
22-1	13515002	推板	Slide plate	1	1
22-2	13512007	推板簧	Slide plate spring	1	1

1.机壳、外装分组件/Machine frame & cover components					
序号 NO.	公司件号 Part NO.	名称 PartName	零件描述 Description	数量 Number	
				CZ-3	H6L+
22-3	101S11019	螺钉 SM3/32×56 L=2	Screw SM3/32×56 L=2	2	2
23	1473100100	绕线器组件	Bobbin winder thread	1	1
24	114S11003	开槽圆柱头螺钉	Screw	3	3
25	11419001	切线刀	Thread cutter	1	1
26	114S11015	螺钉 SM9/64×40 L=6	Screw SM9/64×40 L=6	2	2
27	13522001	面板橡皮塞(φ19)	Rubber plug(φ19)	1	1
28	13522002	面板橡皮塞(φ11.8)	Rubber plug(φ11.8)	1	1
29	11473001800	电子夹线组件	Nest less e-device	1	1
29-1	11302025	夹线 φ6 芯子	Peg	1	1
29-2	11303035	夹线垫片铜套	Copper sheathing	1	1
29-3	13813031	夹线电磁铁外壳	Hull	1	1
29-4	11327021	弹簧	Spring	1	1
29-5	113520006	内六角花型轴位螺钉 M2	Screw	1	1
29-6	13813030	夹线盖板	Blind flange	1	1
29-7	11328030	夹线垫片	Washer	1	1
29-8	11302026	夹线不锈钢芯子	Peg	1	1
29-9	1383002700-01	电磁铁线圈	Magnet coil	1	1
29-10	11303036	铜套	Copper sheathing	1	1
30	101S17002	螺钉 SM11/64×40 L=5	Screw SM11/64×40 L=5	2	2
31	13515001	针板	Needle plate	1	1
32	421S11008	螺钉 M4×10	Screw M4×10	2	2
34	101S11025	螺钉 SM11/64×40×7	Screw SM11/64×40×7	2	2
35	13512001	卷边器座	Beader pedestal	1	1
36	13811060	电机绝缘防护罩	Motor insulation shield	1	1
37	114733011	光电伺服电机	Motor	1	1
38		弹簧垫圈	Spring washer	4	4
39		螺钉 M5×70	Screw M5×70	4	4
40	11473301400	功能型电控	Machine electric control	1	
		功能型电控(物联网)	Machine electric control		1
41	1150NS10004	螺钉 M5×18	Screw M5×18	1	1
42	S05901	螺钉 M5×50	Screw M5×50	3	3
43	S04035	螺钉 M4×6	Screw M4×6	4	4
44	101S11001	螺钉 SM3/16×28 L=9	Screw SM3/16×28 L=9	2	2
45	112811005	松线电磁铁外罩	Loose wire electromagnet external	1	1
46	11473002000	松线电磁铁组件	Loose wire electromagnet assembly	1	1
47	114712029	松线电磁铁安装板	Loose wire electromagnet mounting plate	1	1
48	101S11005	螺钉 SM9/64×40×6	Screw SM9/64×40×6	1	1
49	114208002	松线钉挡圈	Loose pin retaining ring	1	1
50	201S14002	螺钉 SM11/64×40×5	Screw SM11/64×40×5	2	2
51	11473001400	一体机电控面板组件	Control panel	1	
		电控面板组件(物联网)	Control panel		1
52	138S05001	操作面板螺钉 M3×12	Screw M3×12	2	2

2. 上轴挑线分组件/Main shaft & thread take-up components



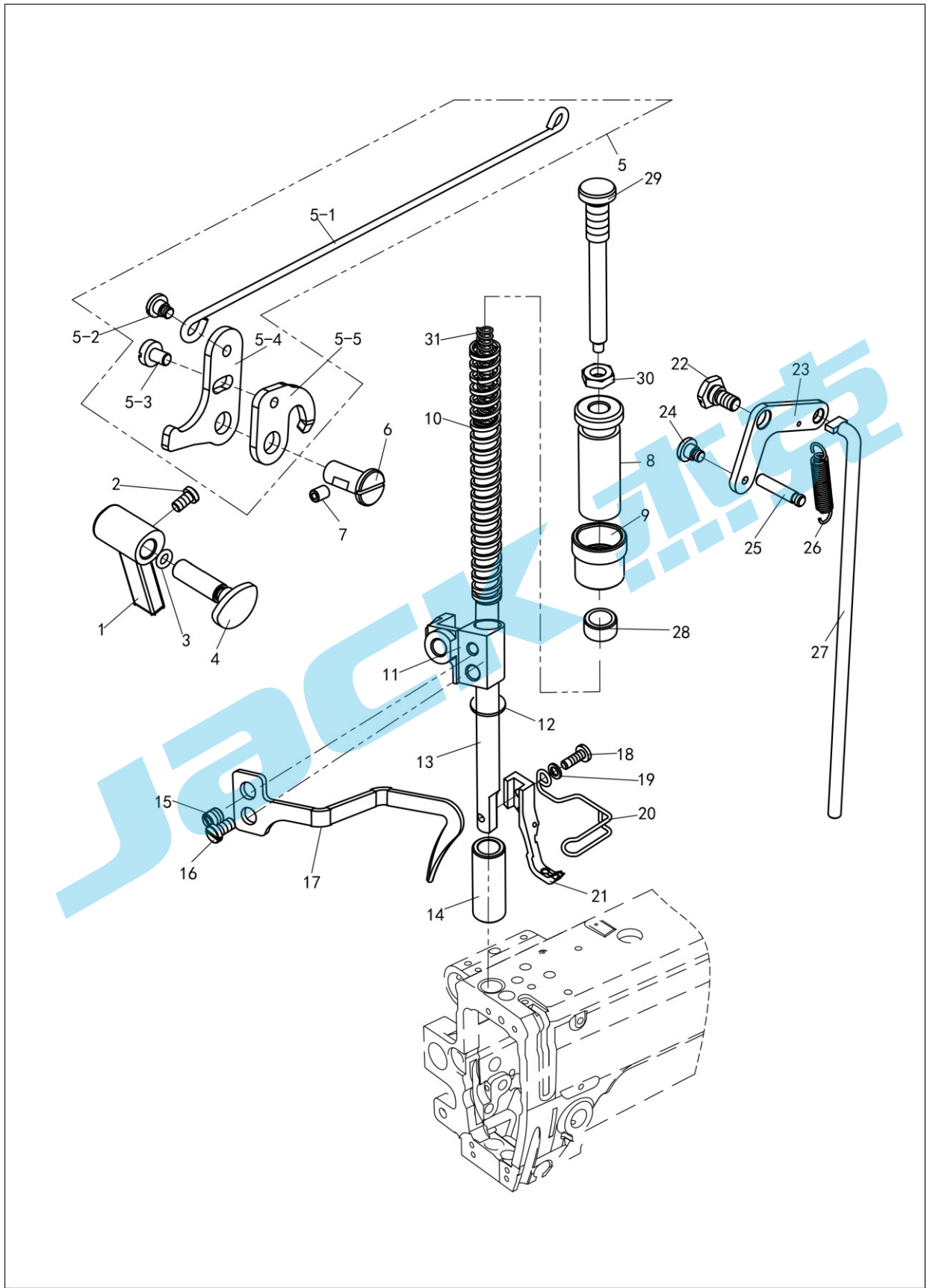
2.上轴挑线分组件/Main shaft & thread take-up components					
序号 NO.	公司件号 Part NO.	名称 PartName	零件描述 Description	数量 Number	
				CZ-3	H6L+
1	S10009	主动轮螺钉 M6x8	Capstan Screw M6x8	2	2
2	930001860	主动轮(喷漆)	Capstan	1	1
3	H03001	轴用弹性挡圈 15	Washer	1	1
4	13522010	上轴后轴套油封组件	Bushing back oil seal assy	1	1
5	114703018	上轴后套	Main shaft bushing back	1	1
6	114702019	上轴	Main shaft	1	1
7	101515002	螺钉 SM1/4x40x6	Screw SM1/4x40x6	2	2
8	10108003	上轴紧圈	Shaft washer	1	1
9	13503017	上轴中轴套	Main shaft bushing middle	1	1
10	135515006	螺钉 SM15/64x28	Screw SM15/64x28	1	1
11	S10035	螺钉 M5x8	Screw M5x8	2	2
12	14735001	驱动轮	BTW-DRIVING-WHEEL	1	1
13	14212007	线夹	Clamps	2	2
14	101511004	螺钉 SM3/16x28x7	Screw SM3/16x28x7	2	2
15	13609001	滑块槽	Slider trough	1	1
16	13603023	上轴前轴套	Main shaft bushing front	1	1
17	10122013	针杆上衬套橡皮塞	Upper bushing rubber plug	1	1
18	14203004	针杆上衬套	Needle bar upper bushing	1	1
19	13523001	毛毡	Oil felt for needle bar	1	1
20	14202002	针杆	Needle bar	1	1
21	14203005	针杆下衬套	Needle bar lower bushing	1	1
22	101511006	螺钉 SM1/8x44 L=4.5	Screw SM1/8x44 L=4.5	1	1
23	13513011	针杆过线环	Needle bar thread ring	1	1
24	13517001	机针(DPx17 23#)	Needle(DPx17 23#)	1	1
25	1353800200	挑线杆组件	Thread take-up assy	1	1
25-1	101511005	螺钉 SM9/64x40x6	Screw SM9/64x40x6	1	1
25-2	13505002	针杆接头	Needle bar connection	1	1
25-3	101517001	挑线曲柄螺钉(左旋)	Screw	1	1
25-4	13505003	针杆连杆	Needle bar connecting rod	1	1
25-5	10124001	挑线杆滚针轴承	Needle bearing	2	2
25-6	13504002	挑线杆曲柄	Thread take-up crank	1	1
25-7	13538004	挑线杆	Thread take-up rod	1	1
25-8	13538003-02	挑线杆衬套	Thread take-up bushing	1	1
25-9	13538002	挑线连杆	Thread take-up connecting rod	1	1
25-10	13502003	挑线连杆铰链销	Pin	1	1
26	135515009	螺钉 SM15/64x28	Screw SM15/64x28	1	1
27	10112003	垫片	Washer	1	1
28	135511002	螺钉 SM9/32x28	Screw SM9/32x28	1	1
29	114704013	针杆曲柄	Needle bar crank	1	1
30	101515004	螺钉 SM9/32x28x16	Screw SM9/32x28x16	1	1
31	101515007	螺钉 SM1/4x40x8	Screw SM1/4x40x8	1	1
32	101515007	螺钉 SM1/4x40x8	Screw SM1/4x40x8	1	1
33	10122012	上轴橡皮塞	Rubber plug	1	1
34	114723001	针杆上毡塞	Oil felt for needle bar	1	1

2.上轴挑线分组件/Main shaft & thread take-up components

序号 NO.	公司件号 Part NO.	名称 PartName	零件描述 Description	数量 Number	
				CZ-3	H6L+
35	11409001	针杆接头滑块	Connection slider	1	1
36	101S11008	滑块导轨螺钉	Slider guide rail screw	2	2
37	114710013	上轴平衡块	Main shaft counterbalance	1	1
38	101S14001	螺钉 SM1/4×40×6	Screw SM1/4×40×6	1	1
39	101S14001	螺钉 SM1/4×40×6	Screw SM1/4×40×6	1	1
40	101S11010	松线钢绳固定架螺钉	Fixed frame screw	2	2
41	13612001	松线钢绳固定架	Fixed frame	1	1

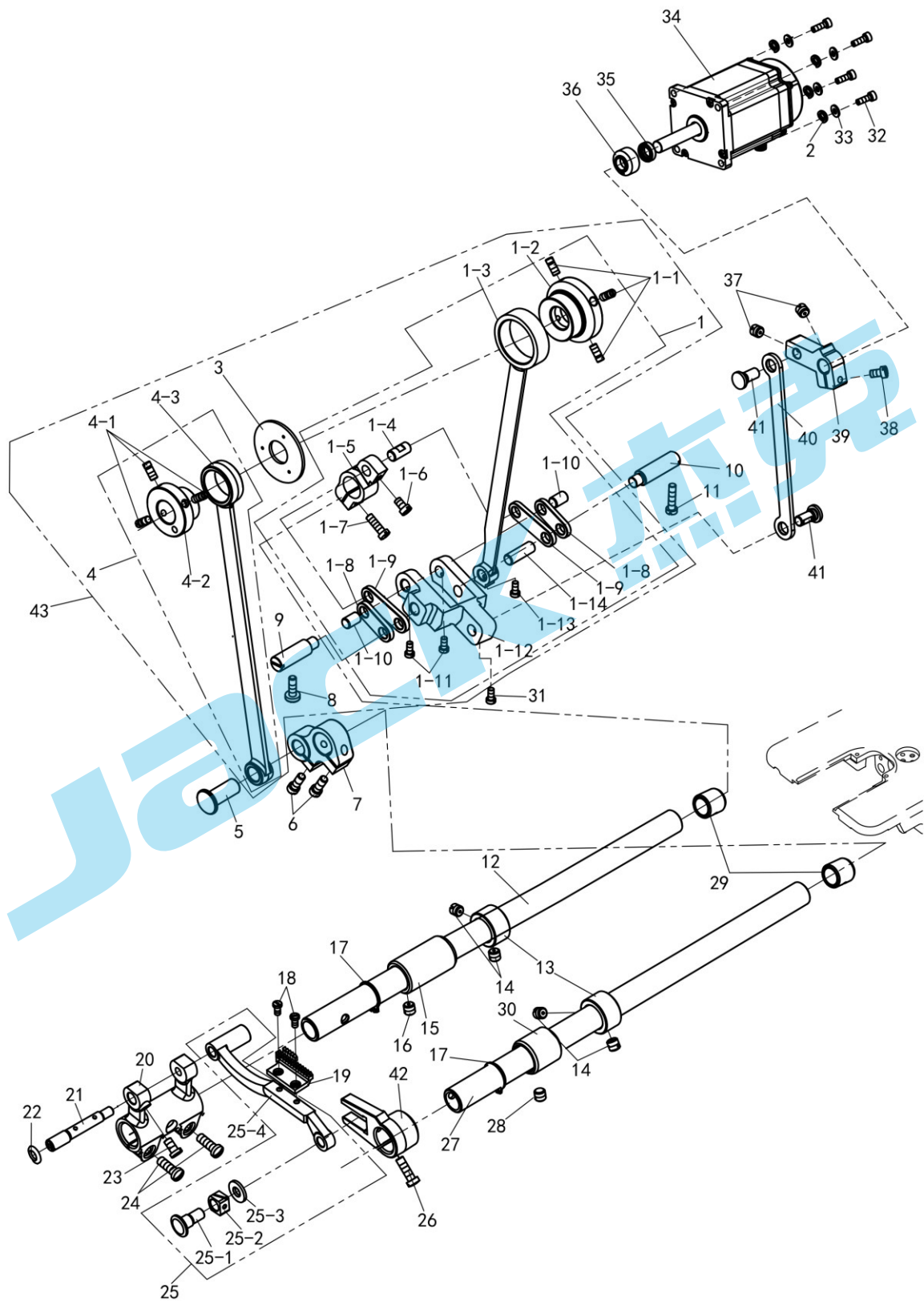
Jack 杰克

3. 压料分组件/Presser bar components



3.压料分组件/Presser bar components					
序号 NO.	公司件号 Part NO.	名称 PartName	零件描述 Description	数量 Number	
				CZ-3	H6L+
1	14711005	压脚扳手	Presser foot wrench	1	1
2	101511008	螺钉 SM11/64×40×8	Screw SM11/64×40×8	1	1
3	001009	O 型圈 4.5×1.8	O-ring 4.5×1.8	1	1
4	13510004	压紧杆提升凸轮	Presser bar lifting cam	1	1
5	11471203300	膝控提升杠杆(左)组件	Knee lifter lever (left)assy	1	1
5-1	114712027	膝控提升拉杆	Knee lifter rod	1	1
5-2	135511027	螺钉 SM3/16×28	Screw SM3/16×28	1	1
5-3	135511026	螺钉 SM11/64×40	Screw SM11/64×40	1	1
5-4	114712036	膝控提升杠杆(左)	Knee lifter lever (left)	1	1
5-5	114710011	松线凸轮	Tension releasing cam	1	1
6	114726007	松线凸轮销	Ension releasing cam melt	1	1
7	113514020	螺钉 SM11/64×40	Screw SM11/64×40	1	1
8	1147NS30003	螺钉 M15×1	Screw M15×1	1	1
9	135516003	螺母 M15×1	Nut M15×1	1	1
10	114727011	压紧杆弹簧	Presser spring	1	1
11	114705021	压紧杆导架	Presser bar lifting bracket	1	1
12	30122022	压脚轴碟形密封圈	Gasket	1	1
13	14202018	压紧杆	Presser bar	1	1
14	14203024	压紧杆轴套	Presser bar bushing	1	1
15	401511031	螺钉 SM11/64×40	Screw SM11/64×40	1	1
16	101515006	螺钉 SM15/64×28	Screw SM15/64×28	1	1
17	114713010	大线勾	Thread guide	1	1
18	101511009	螺钉 SM9/64×40×10.5	Screw SM9/64×40×10.5	1	1
19	13528007	小压脚螺钉垫片	Washer	1	1
20	13512017	防护勾	Defend hook	1	1
21	13516001	小压脚	Presser foot complete	1	1
22	135512002	螺钉 SM15/64×28	Screw SM15/64×28	1	1
23	13512035	膝控提升杠杆(右)	Knee lifter lever (right)	1	1
24	135511027	螺钉 SM3/16×28	Screw SM3/16×28	1	1
25	13526005	弹簧销	Pin for spring	1	1
26	13527010	膝控提升杠杆(右)弹簧	Presser spring	1	1
27	114712023	膝控提升杠杆	Knee lifter lever	1	1
28	114709002	调压螺钉导套	Guide bushing	1	1
29	135530005	螺钉 SM5/16×28	Screw SM5/16×28	1	1
30	1147NS16001	螺母 SM5/16×28	Nut SM5/16×28	1	1
31	14727012	辅助调压弹簧	Presser spring	1	1

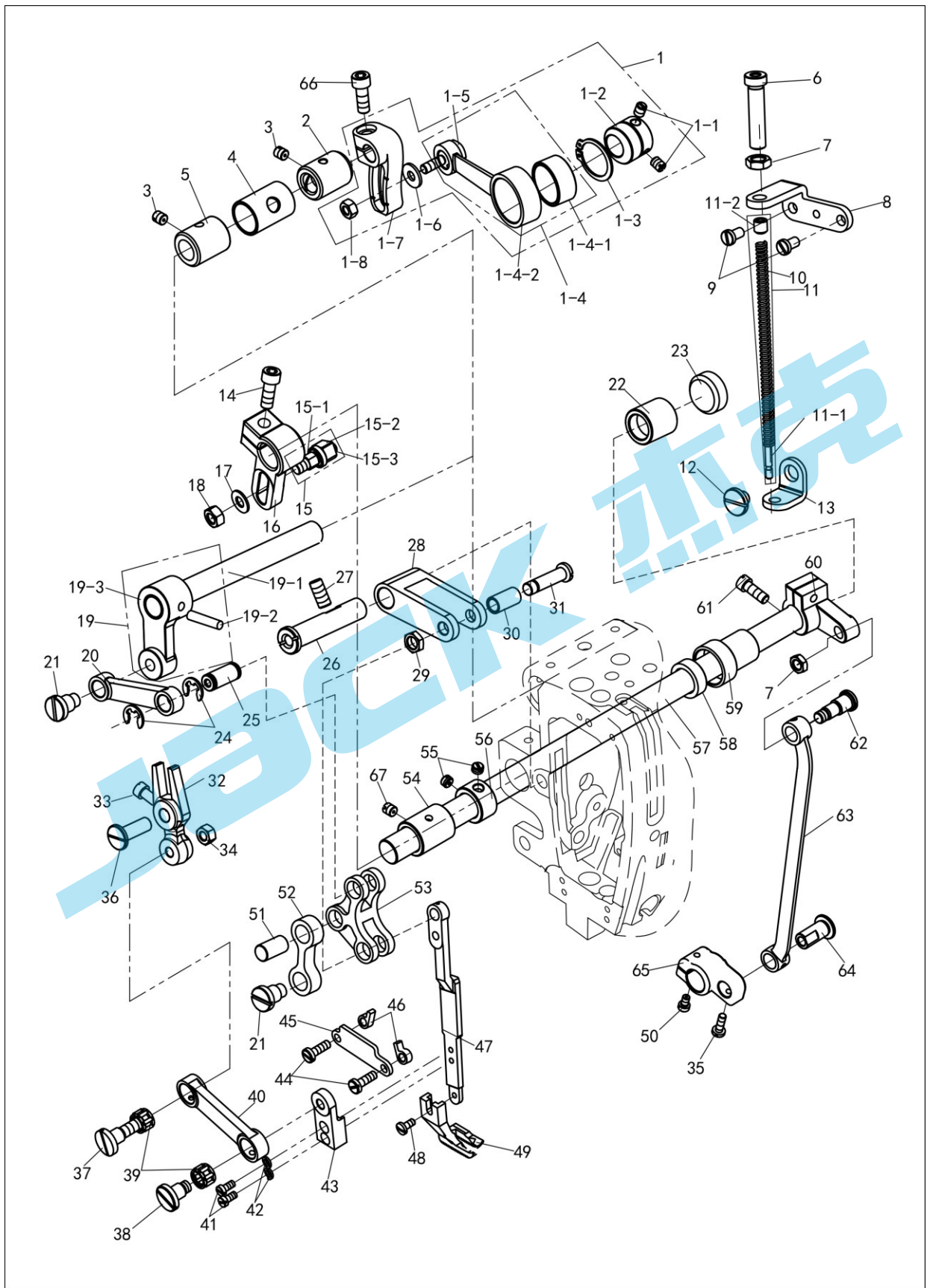
4. 送料分组件/Feed mechanism components



4.送料分组件/Feed mechanism components					
序号 NO.	公司件号 Part NO.	名称 PartName	零件描述 Description	数量 Number	
				CZ-3	H6L+
1	11470502200	送布连杆组件	Rocker shaft connecting rod assy	1	1
1-1	135S15007	送布凸轮螺钉	Screw	3	3
1-2	13510003	送布凸轮	Feed drive eccentric cam	1	1
1-3	114705018	送布连杆	Rocker shaft connecting rod	1	1
1-4	13526001	送布曲柄短销	Walking foot crank short pin	1	1
1-5	13504018	送布曲柄(右)	Feed rocker shaft crank assy	1	1
1-6	101S11025	螺钉 SM11/64×40×7	Screw SM11/64×40×7	1	1
1-7	409S11021	螺钉 SM11/64×40×14	Screw SM11/64×40×14	1	1
1-8	13505008	曲柄短连杆	Connecting short link	2	2
1-9	13505007	曲柄长连杆	Crank long link	2	2
1-10	13526003	曲柄连杆短销	Crank connecting pin	2	2
1-11	201S11012	螺钉 SM9/64×40	Screw SM9/64×40	2	2
1-12	114704004	针距调节曲柄	Needle pitch adjusting link	1	1
1-13	209S14008	螺钉 SM11/64×40×4.5	Screw SM11/64×40×4.5	1	1
1-14	13502014	曲柄连杆长销	Crank connecting pin	1	1
2	10128003	平垫片	Washer	4	4
3	13528002	凸轮隔离片	Thrust collar	1	1
4	11470502300	抬牙连杆组件	Connecting rod assy	1	1
4-1	135S15007	螺钉 SM11/64×40	Screw SM11/64×40	3	3
4-2	13510001	抬牙凸轮	Feed drive eccentric cam	1	1
4-3	114705017	抬牙连杆	Connecting rod	1	1
5	13502009	抬牙曲柄铰链轴	Hinge pin	1	1
6	201S11026	螺钉 SM3/16×32	Screw SM3/16×32	2	2
7	13504019	抬牙右曲柄	Feed lifting rock shaft crank(right)	1	1
8	105S11019	螺钉 SM11/64×40 L=13	Screw SM11/64×40 L=13	1	1
9	13502016	针距调节曲柄定位销(左)	Adjusting link fulcrum shaft	1	1
10	13502017	针距调节曲柄定位销(右)	Adjusting link fulcrum shaft pin	1	1
11	114S11004	螺钉 SM11/64×40×18	Screw SM 11/64×40×18	1	1
12	114702021	送布轴	Feed rocker shaft	1	1
13	10108003	抬牙、送布轴紧圈	Thrust collar assy	2	2
14	101S15002	螺钉 SM1/4×40×6	Screw SM1/4×40×6	4	4
15	13603024	送布轴前轴套	Bushing for feed rock shaft(right)	1	1
16	135S15008	螺钉 SM15/64×28	Screw SM15/64×28	1	1
17	H03001	轴用弹性挡圈	Retaining ring	2	2
18	101S11018	螺钉 SM1/8×40 L=6	Screw SM1/8×40 L=6	2	2
19	13514001	送布牙	Feed dog	1	1
20	13504003	牙架曲柄	Feed crank assy	1	1
21	13502005	牙架曲柄偏心轴	Feed bar shaft	1	1
22	13528004	牙架垫圈	Washer	1	1
23	101S11008	螺钉 SM11/64×40×8	Screw SM11/64×40×8	1	1
24	101S11016	螺钉 SM3/16×28 L=14	Screw SM3/16×28 L=14	2	2
25	1350700300	牙架组件	Feed bar assy	1	1
25-1	13502029	牙架连接销	Bracket connection pin	1	1
25-2	13509007	滑块	Slider	1	1

4.送料分组件/Feed mechanism components					
序号 NO.	公司件号 Part NO.	名称 PartName	零件描述 Description	数量 Number	
				CZ-3	H6L+
25-3	13528009	垫片	Washer	1	1
25-4	13507001	牙架	Feed bar assy	1	1
26	409S11021	抬牙叉夹紧螺钉	Screw	1	1
27	114702020	抬牙轴	Feed lifting rock shaft	1	1
28	409S15004	抬牙轴前轴套螺钉	Screw	1	1
29	13503020	抬牙、送布轴中轴套	Bushing in feeding shaft	2	2
30	13603005	抬牙轴前轴套	Bushing for feed rock shaft(right)	1	1
31	201S11012	螺钉 SM9/64×40	Screw SM9/64×40	1	1
32	S05004	螺钉 M5×14	Screw M5×14	4	4
33	W03002	弹性垫圈	Sping washer	4	4
34	114733017	调针距步进电机	Stepper motor	1	1
35	114922002	步进电机轴套油封	Stepper motor bushing oil seal	1	1
36	115003002	步进电机轴套	Stepper motor bushing	1	1
37	S10035	螺钉 M5×8	Screw M5×8	2	2
38	S05004	螺钉 M5×14	Screw M5×14	1	1
39	114704003	针距调节曲柄	Needle pitch adjust crnk	1	1
40	114705024	步进调针距连杆	Stitch connecting rod	1	1
41	114926001	针距曲柄销	Needle pitch crank pin	2	2
42	13505004	抬牙叉	Feed forked connection	1	1
43	11470501600	抬牙、送布连杆组件	Rocker shaft connecting rod assy	1	1

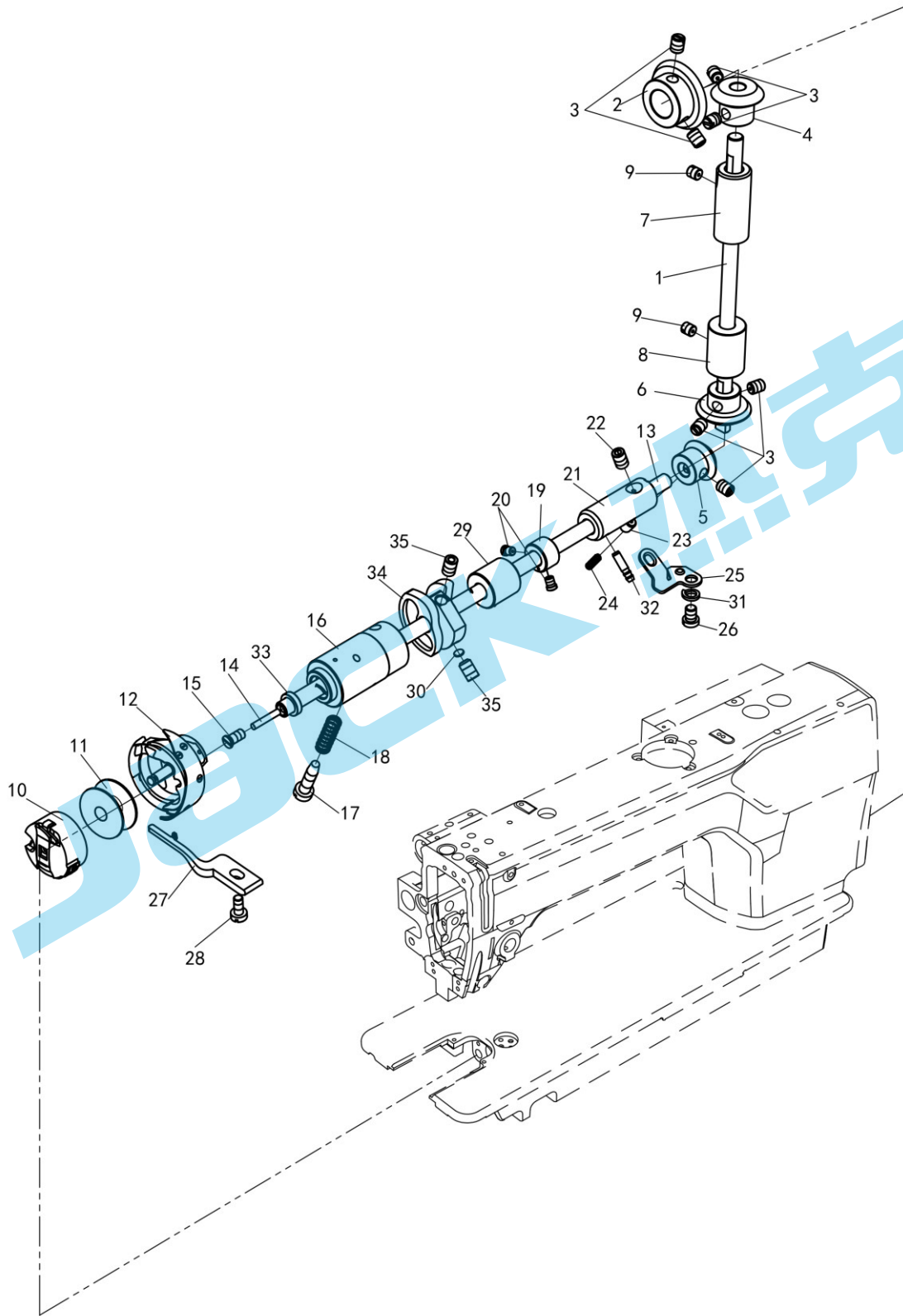
5.上送料部件/Upper feed Parts



5.上送料部件/Upper feed Parts					
序号 NO.	公司件号 Part NO.	名称 PartName	零件描述 Description	数量 Number	
				CZ-3	H6L+
1	11470500200	连杆组件	Connecting rod assy	1	1
1-1	101515007	螺钉 SM1/4×40×8	Screw SM1/4×40×8	2	2
1-2	114710001	压脚升降偏心轮	Eccentric wheel	1	1
1-3	H03061	轴用弹性挡圈 24	Retaining ring 24	1	1
1-4	11470500300	连杆小组件	Connecting rod widget	1	1
1-4-1	114703001	提升连杆衬套	Bushing	1	1
1-4-2	114705001	提升连杆	Lifting link	1	1
1-5	135520006	螺钉 M6×0.75	Screw M6×0.75	1	1
1-6	13528008	垫圈	Washer	1	1
1-7	13504013	偏心连杆调节曲柄	Presser lifting shaft	1	1
1-8	N02001	六角螺母 M6×0.75	Hex nut M6×0.75	1	1
2	13603014	摆压脚提升轴后套	Presser lifting shaft back bushing	1	1
3	135515008	螺钉 SM15/64×28×6	Screw SM15/64×28×6	2	2
4	13603028	摆压脚提升中轴套	Presser lifting shaft bushing	1	1
5	13603013	摆压脚提升轴前套	Presser lifting shaft bushing	1	1
6	135530007	螺钉 SM9/32×28	Screw SM9/32×28	1	1
7	135516006	螺母 SM9/32×28	Nut SM9/32×28	2	2
8	114712022	摆压脚调压螺钉架	Lifting presser bracket for spring	1	1
9	101511008	螺钉 SM11/64×40×8	Screw SM11/64×40×8	2	2
10	14727013	摆压脚调压杆弹簧	Lifting presser spring	1	1
11	1350202100	调压杆弹簧导柱	Presser spring guide	1	1
11-1	13502026	调压杆弹簧导柱杆	Presser spring guide rod	1	1
11-2	13502027	调压杆弹簧导柱套	Presser spring guide bushing	1	1
12	135511036	导柱架螺钉	Guide column frame screw	1	1
13	14209009	提升压脚导柱架	Lifting presser guide plate assy	1	1
14	402513011	螺钉 SM15/64×28×18	Screw SM15/64×28×18	1	1
15	1420900400	摆动轴左曲柄调节柱组件	Crank shaft complete asm	1	1
15-1	142530011	摆动轴左曲柄调节柱	Crank shaft complete	1	1
15-2	14209004	曲柄调节柱滑块	Slide block	1	1
15-3	H05029	开口挡圈	Split ring	1	1
16	13504020	压脚摆动前曲柄	Presser swing shaft	1	1
17	11628005	抬牙叉固定螺钉垫圈	Washer	1	1
18	135516005	螺母 SM1/4×24	Nut SM1/4×24	1	1
19	1350401500	压脚升降前曲柄组件	Presser lifting crank	1	1
19-1	113602001	压脚升降轴	Presser lifting crank	1	1
19-2	13526007	圆锥销	Taper pin	1	1
19-3	13504009	压脚升降前曲柄	Pressure foot lifting shaft	1	1
20	14205007	压脚送料曲柄连杆	Presser feed crank link	1	1
21	135520011	螺钉 SM1/4×40	Screw SM1/4×40	2	2
22	14203025	倒缝台轴套	Feed regulator shaft bushing	1	1
23	14222009	橡皮塞(Φ23)	Rubber cap(Φ23)	1	1
24	H05031	挡圈 E6	Retaining ring E6	2	2
25	14202015	送料曲柄铰链轴	Upper feed connecting link pin	1	1
26	114702018	送料曲柄轴	Upper feed lever rock crank shaft	1	1

5.上送料部件/Upper feed Parts					
序号 NO.	公司件号 Part NO.	名称 PartName	零件描述 Description	数量 Number	
				CZ-3	H6L+
27	135S15009	螺钉 SM15/64×28	Screw SM15/64×28	1	1
28	14204014	压脚送料曲柄支架	Upper feed lever rock crank	1	1
29	409S16020	螺母	Nut	1	1
30	14203021	压脚连杆销套	Foot pressing rod pin sleeve	1	1
31	142S20007	送布曲柄连杆轴位螺钉	Upper feed lever driving link hinge screw	1	1
32	13505030	摆压脚叉形杆(加轴承)	Fork lever	1	1
33	101S11001	螺钉 SM3/16×28 L=9	Screw SM3/16×28 L=9	1	1
34	135S16004	螺母 SM1/4×40	Nut SM1/4×40	1	1
35	116s11005	螺钉 SM11/64×40×13	Screw SM11/64×40×13	1	1
36	13526006	摆压脚叉形杆销	Pin	1	1
37	135S20012	螺钉 SM1/4×40	Screw SM1/4×40	1	1
38	135S20014	螺钉 SM1/4×40	Screw SM1/4×40	1	1
39	10124001	滚针轴承	Needle bearing	2	2
40	13505028	摆压脚连杆(加轴承)	Link of walking foot	1	1
41	201S11012	螺钉 SM9/64X40	Screw SM9/64X40	2	2
42	W02002	垫圈 4	Washer	2	2
43	13601015	摆压脚杆座	Holder for walking foot bar	1	1
44	116s11005	螺钉 SM11/64×40×13	Screw SM11/64×40×13	2	2
45	114712025	提升压脚连接压板	Lifting presser sway crank guide pin	1	1
46	114708001	压脚连杆压板垫块	Shim	2	2
47	114705020	摆压脚杆	Swing pin rod	1	1
48	135S11030	螺钉 SM9/64×40	Screw SM9/64×40	1	1
49	13516002	摆压脚	Walking foot	1	1
50	101S11025	螺钉 SM11/64×40	Screw SM11/64×40	1	1
51	14226011	送料曲柄铰链销	Pin	1	1
52	14205008	送料曲柄连杆	Presser bar bracket connecting link	1	1
53	114704016	压脚送料曲柄	Upper feed connecting link	1	1
54	13508008	压脚摆动轴前轴套	Presser swing shaft front bushing (left)	1	1
55	135S15004	螺钉 SM1/4×40×4	Screw SM1/4×40×4	2	2
56	13508009	紧圈	Shaft washer	1	1
57	114702017	压脚摆动轴	Presser swing shaft	1	1
58	11472200200	摆动轴后套油封	Oil seal	1	1
59	13503014	压脚摆动轴中轴套	Presser swing middle shaft bushing (right)	1	1
60	13504023	压脚摆动后曲柄	Presser swing crank(right)	1	1
61	402S13011	螺钉 SM15/64×28×18	Screw SM15/64×28×18	1	1
62	135S20005	螺钉 SM9/32×28	Screw SM9/32×28	1	1
63	114705019	摆压脚大连杆	Presser swing crank(right)rod	1	1
64	135S20004	大连杆曲柄连接销	Pin	1	1
65	13504022	送布轴曲柄(中)	Feed rocker shaft crank middle	1	1
66	135S11035	螺钉 SM1/4×24	Screw SM1/4×24	1	1
67	409S15004	螺钉 SM15/64×28×4	Screw SM15/64×28×4	1	1

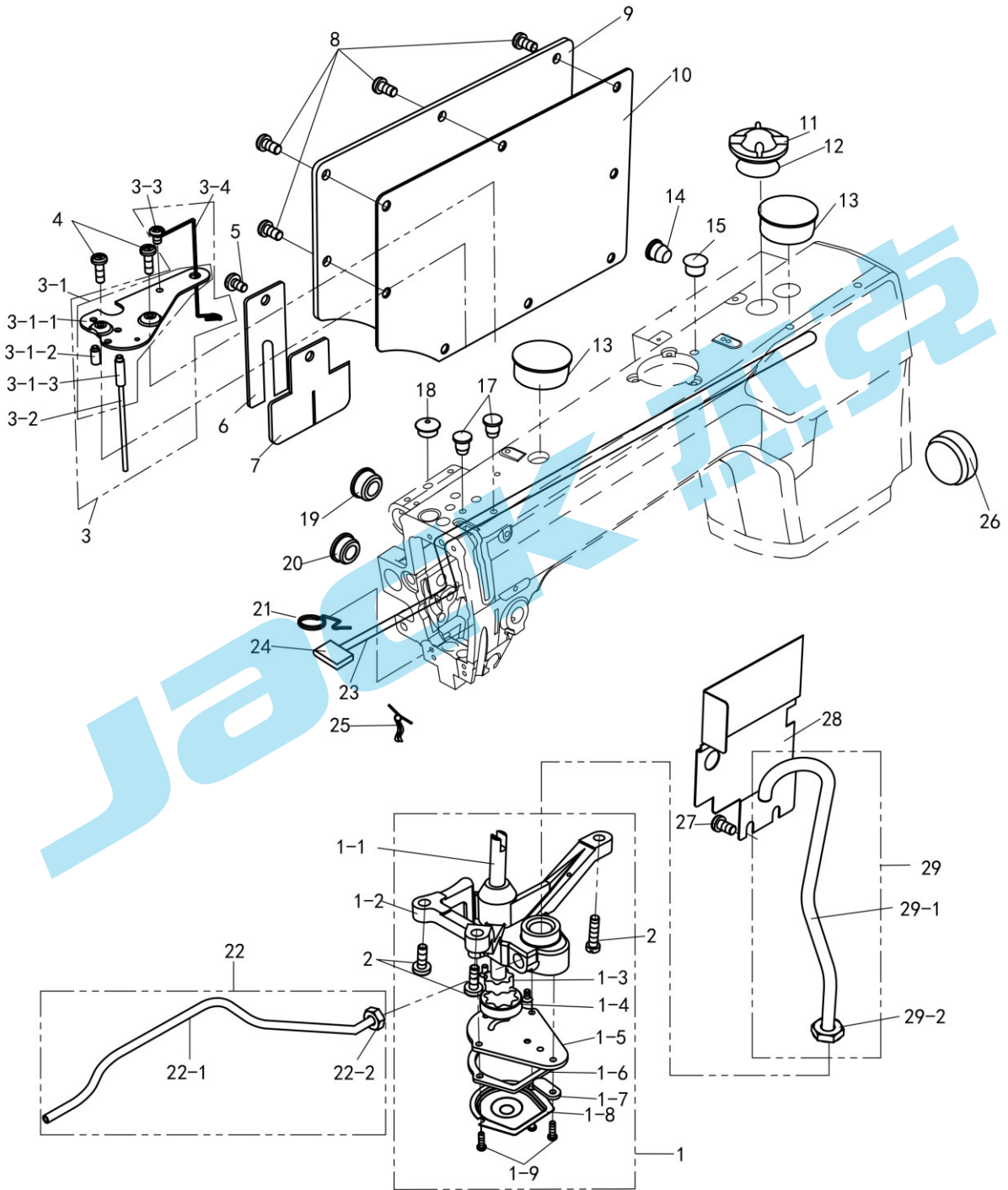
6. 旋梭部件/Hook components



6.旋梭部件/Hook components

序号 NO.	公司件号 Part NO.	名称 PartName	零件描述 Description	数量 Number	
				CZ-3	H6L+
1	114702022	竖轴	Upright shaft	1	1
2	13525001	上轴伞齿轮	Gear asm	1	1
3	101s15007	螺钉 SM1/4×40×8	Screw SM1/4×40×8	8	8
4	13525002	竖轴伞齿轮(上)	Gear asm	1	1
5	13525003	下轴伞齿轮	Pinion asm	1	1
6	13525004	竖轴伞齿轮(下)	Gear asm	1	1
7	13503018	竖轴轴套(上)	Bushingupper	1	1
8	13503019	竖轴轴套(下)	Upring shaft bushing lower	1	1
9	135515008	螺钉 SM15/64×28	Screw SM15/64×28	2	2
10	13618001	梭心套组件	Hook asm	1	1
11	10818501	梭芯	Bobbin	1	1
12	13618007	旋梭(有尾)	Hook asm (with tail)	1	1
13	114702023	下轴	Hook driving shaft	1	1
14	10123003	下轴滤油塞	Oil wick	1	1
15	101S30005	螺钉 SM3/16×32	Screw SM3/16×32	1	1
16	13603008	下轴前轴套	Bushing front	1	1
17	135520008	螺钉 SM15/64×28	Screw SM15/64×28	1	1
18	13527005	油量调节弹簧	Spring	1	1
19	10108002	下轴紧圈	Thrust shrink collar asm	1	1
20	101S11012	螺钉 SM11/64×40×4.8	Screw SM11/64×40×4.8	2	2
21	13603025	下轴后轴套	Bushing rear	1	1
22	135515006	螺钉 SM15/64×28	Screw SM15/64×28	1	1
23	13502008	柱塞	Plunger	1	1
24	13527006	柱塞弹簧	Plunger spring	1	1
25	13512009	档板	Guide plate	1	1
26	135511019	螺钉 SM15/64×28	Screw SM15/64×28	1	1
27	10112016	旋梭定位勾	Rotating hook positioner	1	1
28	101S11011	螺钉 SM11/64×40×9.5	Screw SM11/64×40×9.5	1	1
29	13603026	下轴中轴套	Bushing middle	1	1
30	13628003	切线凸轮螺钉垫片	Washer	2	2
31	W02004	档板螺钉弹簧垫圈	Washer	1	1
32	13521001	下轴轴套油管	Oil pipe for hook shaft bushing	1	1
33	11522001	下轴油封	Plunger	1	1
34	13610003	切线凸轮	Thread trimmer cam	1	1
35	116S14005	螺钉 SM1/4×40×10	Screw SM1/4×40×10	2	2

7. 润滑、供油部件/Oil lubrication components



7. 润滑、供油部件/Oil lubrication components

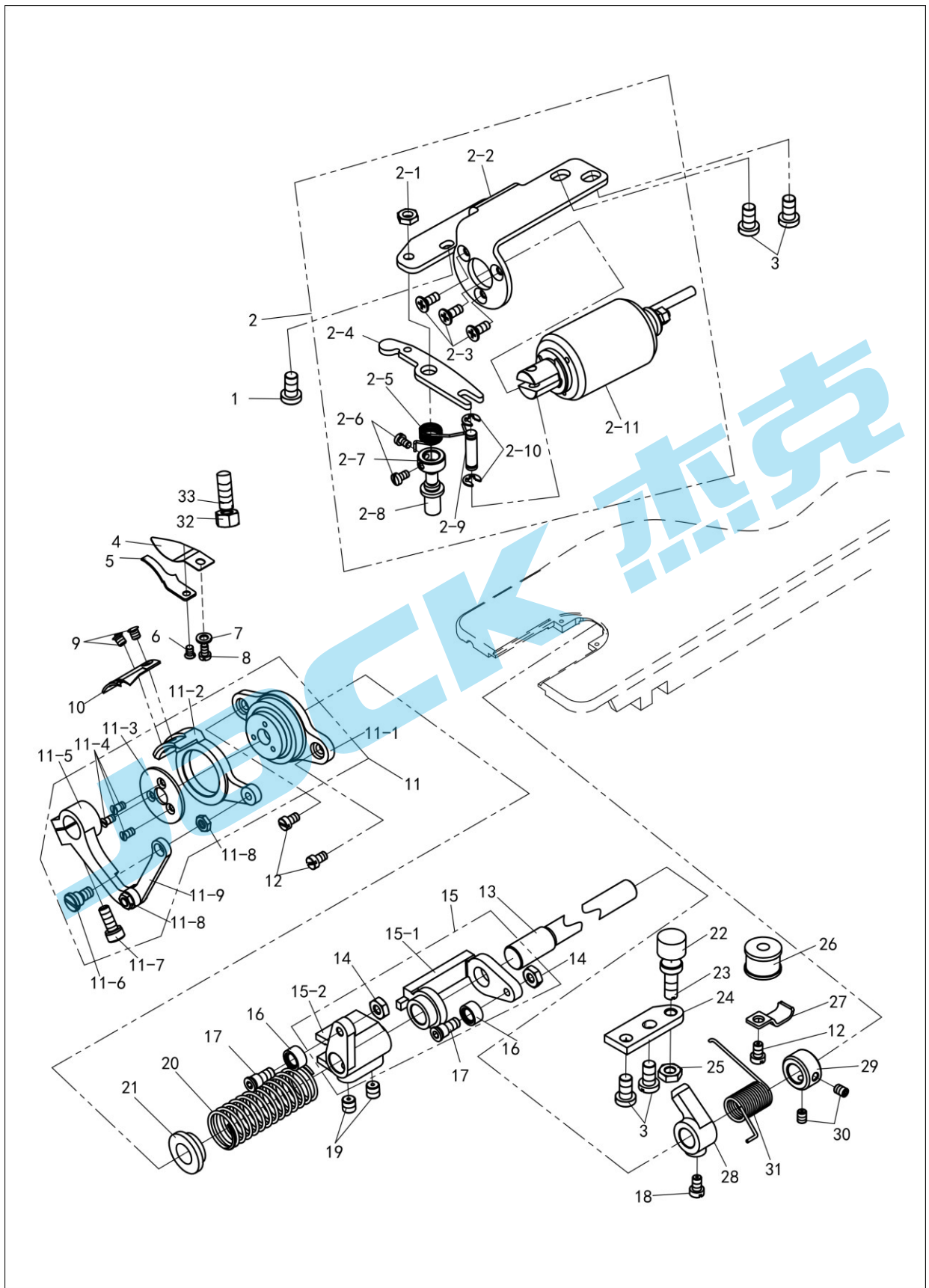
序号 NO.	公司件号 Part NO.	名称 PartName	零件描述 Description	数量 Number	
				CZ-3	H6L+
1	1352000200	油泵组件	Oil pump asm	1	1
1-1	13502024	油泵体短轴	Shaft for oil pump	1	1
1-2	13520001	油泵体	Oil pump	1	1
1-3	13525006	油泵小齿轮	Small gear for oil pump	1	1
1-4	13525005	油泵大齿轮	Big gear for oil pump	1	1
1-5	13512021	油泵体盖板	Cover for oil pump	1	1
1-6	13512024	油泵滤网	Oil pump filter	1	1
1-7	13512022	油泵调节板	Adjusting plate for oil pump	1	1
1-8	13512023	油泵滤网盖板	Oil pump filter cover	1	1
1-9	135511037	螺钉 M3×10	Screw M3×10	5	5
2	105511019	螺钉 SM11/64×40×13	Screw SM11/64×40×13	3	3
3	1351202400	油线固定板大组件	Oil wick set plate complete	1	1
3-1	1351203200	油线固定板小组件	Oil line fixing plate widget	1	1
3-1-1	13512031	油线固定板	Oil line fixed hook	1	1
3-1-2	13521006	油线固定板油管(短)	Oil line fixed plate tubing (short)	1	1
3-1-3	13521005	油线固定板油管(长)	Oil line fixed plate tubing (long)	1	1
3-2	13523007	油线固定板油线	Oil line fixed plate oil line	1	1
3-3	101501010	复合槽螺钉 SM9/64×40	Screw SM9/64×40	1	1
3-4	13534001	油线固定勾	Oil line fixed hook	1	1
4	101511010	螺钉 SM9/64×40×11	Screw SM9/64×40×11	2	2
5	101511004	螺钉 SM3/16×28×7	Screw SM3/16×28×7	1	1
6	930001888	小挡油板	Keep off plate	1	1
7	14722011	小挡油板羊毛毡	Keep off plate wool felt	1	1
8	101511001	螺钉 SM3/16×28×9	Screw SM3/16×28×9	8	8
9	930001861	后盖板(喷漆)	Side plate	1	1
10	14722006	后盖板密封垫片	Gasket	1	1
11	10111004	油窗	Oil sight window	1	1
12	10122019	油窗 O 型圈	O-ring	1	1
13	13522008	橡皮塞(φ25.5)	Rubber plug(φ25.5)	2	2
14	13522003	橡皮塞(φ8.8)	Rubber plug(φ8.8)	1	1
15	10122005	挑线连杆销螺孔塞	Take-up link pin screw plug	1	1
17	13522005	橡皮塞(φ5.7)	Rubber plug(φ5.7)	2	2
18	14022013	孔塞(φ8.5)	Rubber plug(φ8.5)	1	1
19	12922001	橡皮塞(φ12.5)	Rubber plug(φ12.5)	1	1
20	13522002	面板橡皮塞(φ11.8)	Rubber plug(φ11.8)	1	1
21	114727007	回油管压簧	Felt compression spring	1	1
22	11472100600	下轴油管组件	Oil pipe for arm lower shaft	1	1
22-1	114721007	下轴油管	Oil pipe for lower shaft	1	1
22-2	13636001	下轴油管接头	lower shaft hose connector	1	1
23	12921002	回油管 φ3×φ4	Oil return pipe	1	1
24	13523003	回油管滤油毡	Oil felt	1	1
25	10423005	油线 2.5×260/2.5×290	Oil wick	1	1
26	13522004	橡皮塞(φ27)	Rubber plug(φ27)	1	1
27	112511014	螺钉 SM11/64×40×5.3	Screw SM11/64×40×5.3	2	2

7. 润滑、供油部件/Oil lubrication components

序号 NO.	公司件号 Part NO.	名称 PartName	零件描述 Description	数量 Number	
				CZ-3	H6L+
28	13612023	挡油板	Keep off plate	1	1
29	11472100400	上轴油管组件	Oil pipe complete for upper shaft	1	1
29-1	114721005	上轴油管	Upper shaft tubing	1	1
29-2	135511045	上轴油管接头	Upper shaft oil pipe joint	1	1

JACK 杰克

8.切线部件/Thread trimmer components



8.切线部件/Thread trimmer components

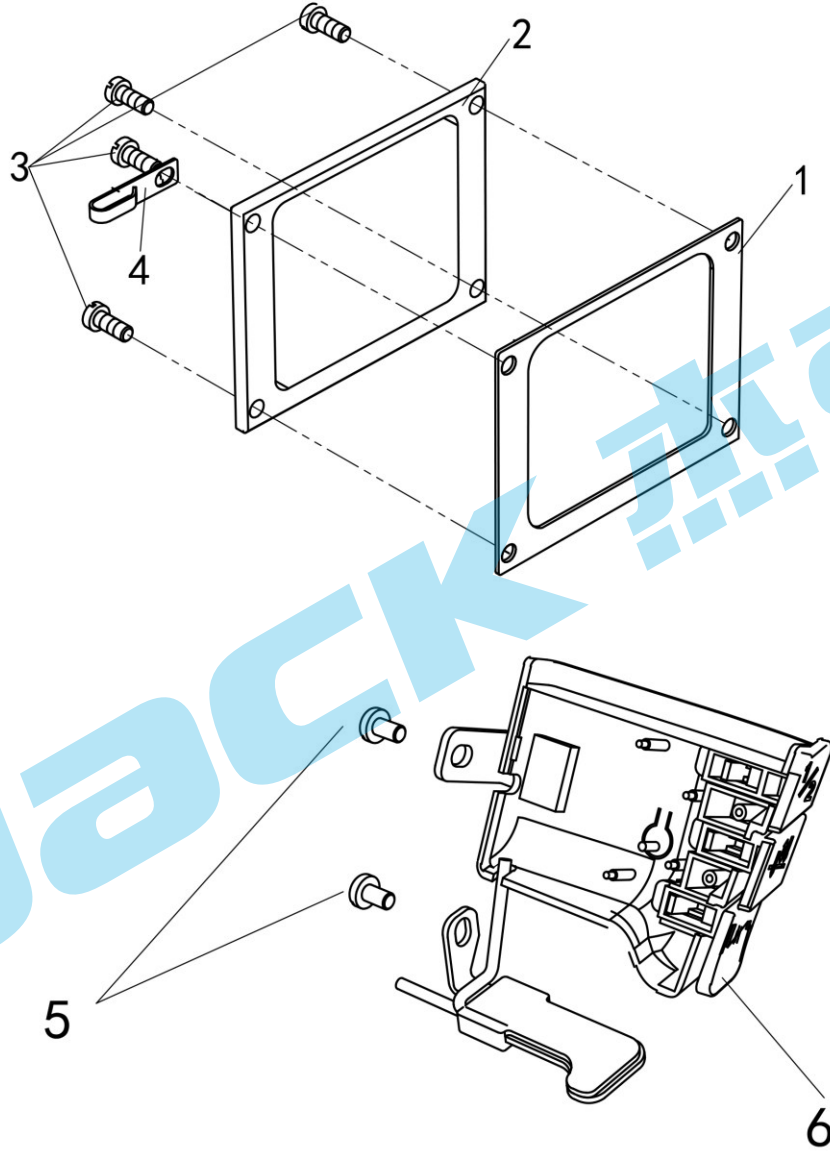
序号 NO.	公司件号 Part NO.	名称 PartName	零件描述 Description	数量 Number	
				CZ-3	H6L+
1	101S11011	螺钉 SM11/64×40×9.5	Screw SM11/64×40×9.5	1	1
2	11473001500	剪线电磁铁大组件	Thread electromagnet drive assembly	1	1
2-1	114S16005	螺母 SM15/64×28	Nut SM15/64×28	1	1
2-2	13612012	剪线电磁铁安装架	Wire trimming electromagnet mounting bracket	1	1
2-3	407S17001	螺钉 M4×10	Screw M4×10	3	3
2-4	13612006	驱动板	Thread trimmer driving lever	1	1
2-5	13627004	驱动板弹簧	Spring	1	1
2-6	101S11005	螺钉 SM9/64×40×6	Screw SM9/64×40×6	2	2
2-7	30108004	驱动板轴紧圈	Shrink collar	1	1
2-8	13602007	驱动板轴	Shaft	1	1
2-9	13626005	剪线电磁铁销	Pin	1	1
2-10	H05012	挡圈	Ring	2	2
2-11	11473001600	剪线电磁铁传动组件	Thread electromagnet drive assembly	1	1
3	201S11029	螺钉 SM15/64×28×11	Screw SM15/64×28×11	4	4
4	13612010	栏线板	Thread guide	1	1
5	13619001	定刀片	Fixed blade	1	1
6	113S17001	螺钉 SM9/64×40×6	Screw SM9/64×40×6	1	1
7	13628011	栏线板垫片	Gasket	1	1
8	101S11005	螺钉 SM9/64×40×6	Screw SM9/64×40×6	1	1
9	113S17002	螺钉 SM11/64×40×4.4	Screw SM11/64×40×4.4	2	2
10	13619002	动刀片	Movable knife (left)	1	1
11	1360100800	刀架组件	Knife holding bracket saddle asm	1	1
11-1	42209006	刀架	Knife holding bracket saddle	1	1
11-2	42204008	切线刀架 L	Knife base (left)	1	1
11-3	42212049	刀架垫圈	Washer	1	1
11-4	422S17006	螺钉 SM1/8×44×5.4	Screw SM1/8×44×5.4	3	3
11-5	13604001	剪线电磁铁驱动曲柄	Knife driving crank	1	1
11-6	422S20006	螺钉 SM11/64×40×5.5	Screw SM11/64×40×5.5	2	2
11-7	S05005	螺钉 M5×12	Screw M5×12	1	1
11-8	422S16002	螺母 SM11/64×40	Nut SM11/64×40	2	2
11-9	42205008	刀架连杆	Link	1	1
12	101S11025	螺钉 SM11/64×40×7	Screw SM11/64×40×7	4	4
13	13602008	凸轮曲柄轴	Knife driving shaft	1	1
14	136S17005	滚轮螺母 SM3/16×28	Nut SM3/16×28	2	2
15	11360400300	左右曲柄组件	Left and right crank assembly	1	1
15-1	13604003	切线凸轮左曲柄	Tangent cam left crank	1	1
15-2	13604002	切线凸轮右曲柄	Tangential cam right crank	1	1
16	13609002	滚轮	Cam follower	2	2
17	136S20003	螺钉 SM3/16×28×8	Screw SM3/16×28×8	2	2
18	S10018	螺钉 M6×0.75×6	Screw M6×0.75×6	1	1
19	136S14002	螺钉 SM15/64×28×6	Screw SM15/64×28×6	2	2
20	13627005	曲柄轴弹簧	Spring	1	1
21	13601010	扭簧端盖	Torsion spring end cap	1	1
22	114728003	缓冲垫	Cushion	1	1

8.切线部件/Thread trimmer components

序号 NO.	公司件号 Part NO.	名称 PartName	零件描述 Description	数量 Number	
				CZ-3	H6L+
23	136530002	止动螺钉 M6×16	Screw M6×16	1	1
24	13612011	止动板	Stopper plate	1	1
25	205516002	螺母 M6×3.5	Nut M6×3.5	1	1
26	114722006	电线孔塞	Wire plug	1	1
27	12312011	电线固定夹	Cable clip	2	2
28	114701033	限位块	Stopper	1	1
29	20108001	凸轮轴紧圈	Thrusr tighten collar asm	1	1
30	113514020	螺钉 SM11/64×40×6	Screw SM11/64×40×6	2	2
31	13627006	凸轮轴扭簧	Spring	1	1
32	402516007	螺母	Nut SM1/8×44×3	1	1
33	113515002	定刀调节螺钉	Screw SM1/8×44 L=9.5	1	1

JAACK 杰克

9. 自动倒送料开关组件/Automatic reverse feed components

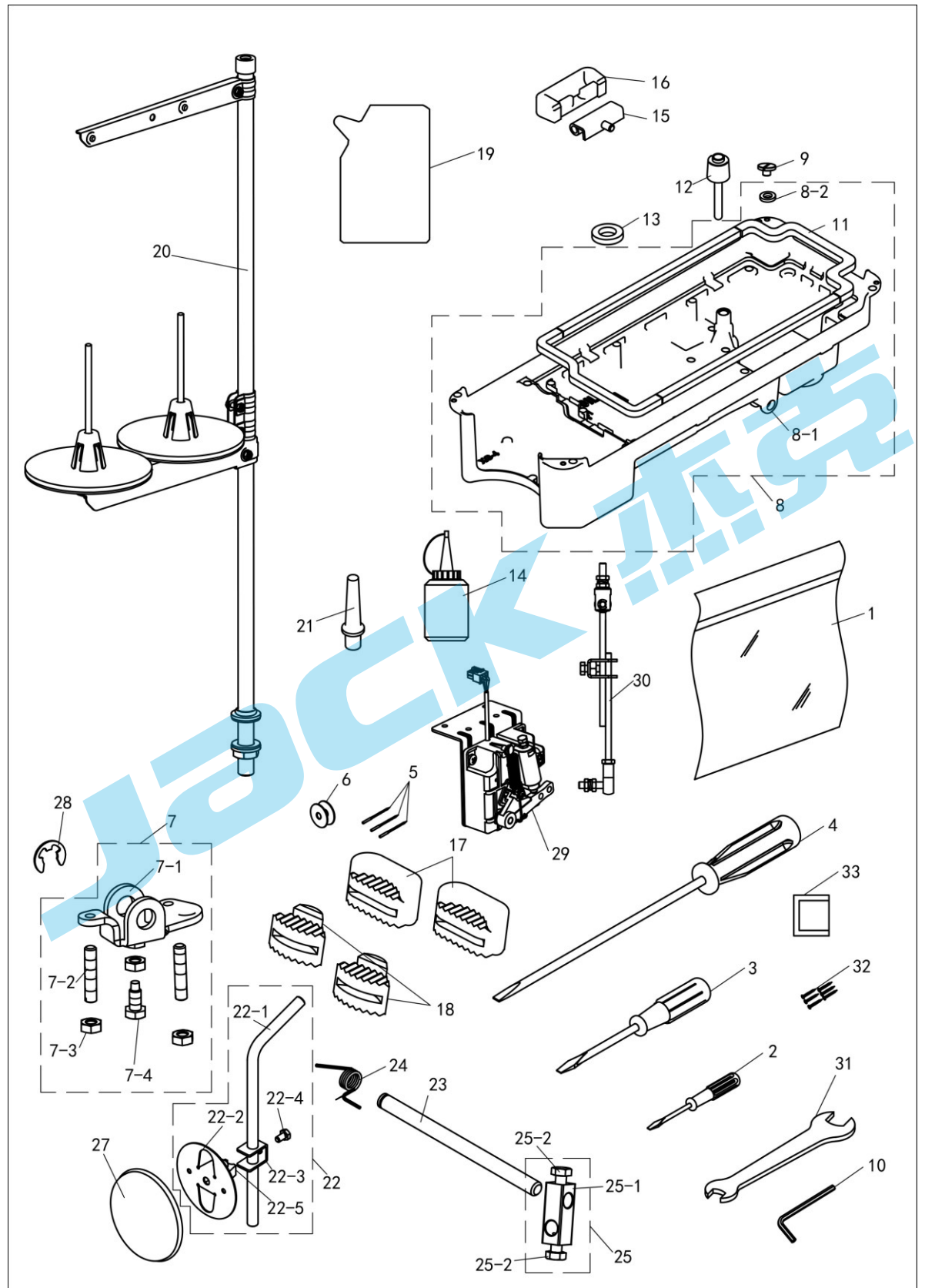


9.自动倒送料开关组件/Automatic reverse feed components

序号 NO.	公司件号 Part NO.	名称 PartName	零件描述 Description	数量 Number	
				CZ-3	H6L+
1	13628009	倒缝电磁铁罩垫片	Seals washer	1	1
2	930001691	倒缝电磁铁罩	Backstitch solenoid cover	1	1
3	101S11001	螺钉 SM3/16×28×9	Screw SM3/16×28×9	4	4
4	41312003	油管固定架	Oil tube holder	1	1
5	101S11004	螺钉 SM3/16×28×7	Screw SM3/16×28×7	2	2
6	11473001900	倒缝电磁铁开关组件	Switch assembly	1	1

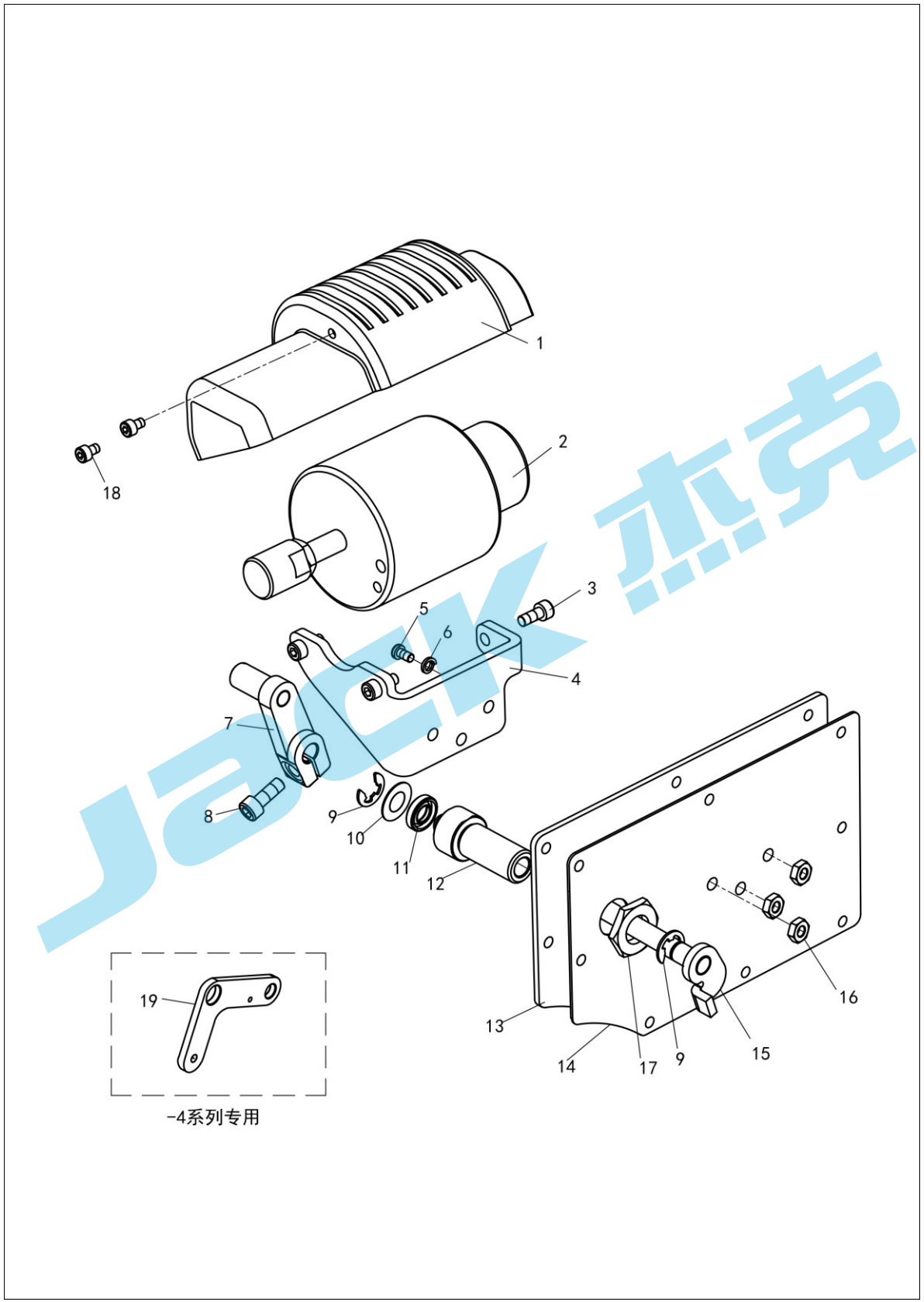
Jack 杰克

10.机头附件/Machine head access



10.机头附件/Machine head accessories					
序号 NO.	公司件号 Part NO.	名称 PartName	零件描述 Description	数量 Number	
				CZ-3	H6L+
1	40331612	防尘罩	Machine head cover	1	1
2	10131004	螺钉起子(小)	Screw driver(small)	1	1
3	10131003	螺钉起子(中)	Screw driver(middle)	1	1
4	20731047	螺丝刀	Screw driver(large)	1	1
5	13517002	机针(DP×17 23#)	Needle(DP×17 23#)	10	10
6	10818501	梭芯	Bobbin	2	2
7	1011202700	抬压脚双向曲柄	Knee lifter crank assembly	1	1
7-1	10112027	抬压脚双向曲柄	Knee lifter crank	1	1
7-2	101515012	螺钉 M6 L=30	Screw M6 L=30	2	2
7-3	101516004	螺母 M6 L=4	Nut M6 L=4	3	3
7-4	101512002	螺钉 M6 L=24.5	Screw M6 L=24.5	1	1
8		油盘组件	Oil reservoir	1	1
8-1	114701021	油盘	Oil reservoir	1	1
8-2		放油螺钉垫圈	Washer	1	1
9	101511028	放油螺钉 SM5/16×24×7	Screw SM5/16×24×7	1	1
10	20131056	内六角扳手 5mm	Allen wrench 5mm	1	1
11	11472300400	油盘垫	Gasket	1	1
12	10111005	膝控提升顶杆	Knee press lifter rod	1	1
13	10131001	磁块	Magnet	1	1
14	20131038	小油壶	Oil pot	1	1
15	1011203100	机壳铰链	Rubber coat	2	2
16	10122060	机壳铰链套	Hing	2	2
17	113522001	机头防震垫块(大)	Cushion(big)	2	2
18	10122022	机头防震垫块(小)	Cushion(small)	2	2
19	113511001	油袋(600ml)(10#)	Oil bag (600ml)(10#)	1	1
20	11023100400	线架组件	Spool stand complete	1	1
21	10111011	机头支柱	Frame support bar	1	1
22	1351203800	膝控操纵杆组件	Joystick assembly	1	1
22-1	13512038	膝控碰块弯杆	Bent rod	1	1
22-2	10112029	膝控碰块	Bell	1	1
22-3	10112030	碰块架	Bell bracket	1	1
22-4	101512004	碰块架螺钉 M6×11	Screw M6×11	1	1
22-5	10122025	操作杆垫	Operation lever pad	1	1
23	10102011	抬压脚轴	Hinge pin	1	1
24	10127016	膝控复位弹簧	Spring	1	1
25	11471001600	膝控操纵杆接头组件	Connector	1	1
25-1	114710016	膝控操纵杆接头	Connector	1	1
25-2	L020004	外六角螺钉 M8×12	Screw M8×12	2	2
27	10122024	碰块垫	Mat	1	1
28	H05010	开口挡圈	Split stop ring	1	1
29	11023002800	电控脚踏	Electric control pedal	1	1
30	11543100300	脚踏连杆	Pedal connecting rod	1	1
31	114712003	开口扳手(14-10)	Open wrench	1	1
32	101530010	鞋钉 P19	Studs P19	6	6
33	113831011	干燥剂(25g)	Desiccant (25g)	1	1

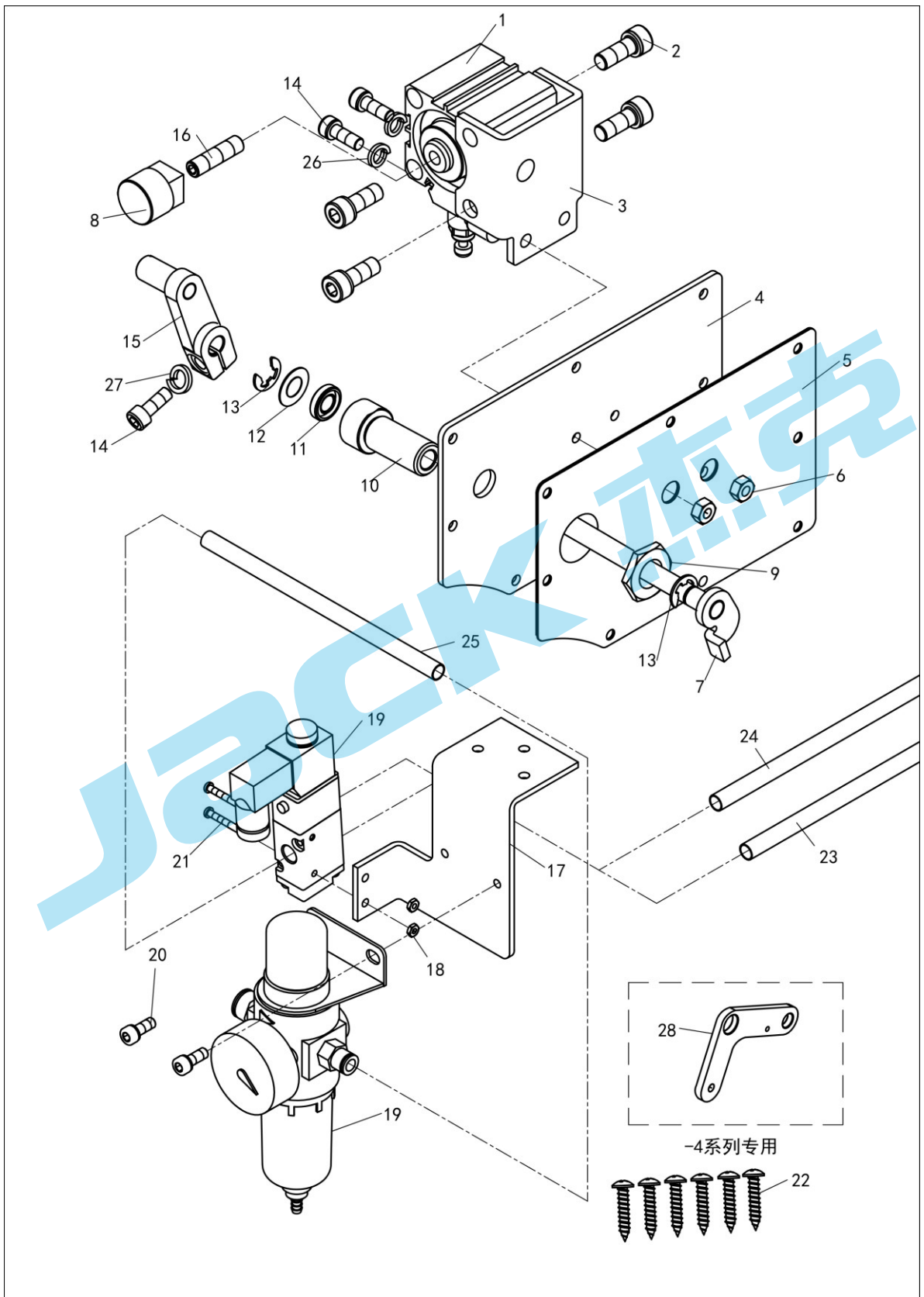
11.新款自动抬压脚部件/Automtic presser foots parts



11.新款自动抬压脚部件/Automatic presser foots parts

序号 NO.	公司件号 Part NO.	名称 PartName	零件描述 Description	数量
				CZ-4
1	114744001	电磁铁防护罩	Electromagnet shield	1
2	11473000400	抬压脚电磁铁组件	Lifting foot electromagnet assembly	1
3	S05005	螺钉 M5×12	Screw M5×12	3
4	114712006	电磁铁安装架	Electromagnet mount	1
5	207S11026	螺钉 M6×16	Screw M6×16	3
6	W02004	M6 不锈钢弹垫	Spring washer M6	3
7	114704002	自动抬压脚曲柄	Automatic lifting foot crank assembly	1
8	207S11026	曲柄锁紧螺钉 M6×16	Screw M6×16	1
9	H05001	挡圈	Retaining ring	2
10	12928004	轴向垫圈 A 1.2MM	Axial washer 1.2MM	1
11	30122039	压脚轴套油封	Oil seal	1
12	114703002	套筒	Sleeve	1
13	930000267	后窗板(喷漆)	Rear window	1
14	114722004	后窗板密封垫	Rear window gasket	1
15	11470200300	自动抬压脚轴组件	Automatic lifting foot crank	1
16	N01007	六角螺母 M6	Nut M6	3
17	112S16011	套筒螺母 M16×1.5	Sleeve nut M16×1.5	1
18	421S11008	螺钉 M4×10	Screw M4×10	2
19	13512035	膝控提升杠杆(右)	Knee lifter lever (right)	1

12. 气动抬压脚部件/Automtic presser foots parts



12.气动抬压脚部件/Automatic presser foots parts

序号 NO.	公司件号 Part NO.	名称 PartName	零件描述 Description	数量
				CZP-4
1	11474500200	抬压脚气缸组件	Lifting foot cylinder assembly	1
2	S05007	螺钉 M8×20	Screw M8x20	4
3	114712008	气缸安装支架	Cylinder mounting plate	1
4	930000268	后窗板(气动)	Rear window	1
5	114722003	后窗板密封垫片(气动)	Rear window gasket	1
6	N01007	六角螺母 M6	Nut M6	2
7	11470200300	自动抬压脚轴组件	Automatic lifting foot crank	1
8	121444003	C5-1923 抬压脚电磁铁接头	Lift foot electromagnet connection meaning	1
9	112516011	套筒螺母 M16×1.5	Sleeve nut M16x1.5	1
10	114703002	套筒	Sleeve	1
11	30122039	压脚轴套油封	Oil seal	1
12	12928004	轴向垫圈 A 1.2MM	Axial washer 1.2MM	1
13	H05001	开口挡圈	Retaining ring	2
14	207511026	气缸安装架固定螺钉	Screw	3
15	114704002	自动抬压脚曲柄	Automatic lifting foot crank	1
16	1147NS14001	内六角平端紧定螺钉	Screw	1
17	142312006	气压阀安装板	Valve mounting plate	1
18	N01013	GB/T6170-1986 螺母 M3(镀锌)	Nut M3	2
19	11424500700	电磁阀组件	The electromagnetic valve	1
20	S05005	螺钉 M5×12	Screw M5x12	2
21	407504053	十字半圆头螺钉 M3×25	Screw M3x25	2
22	S190002	绕线器木螺钉 ST3.5×16	Screw	6
23		气管	Trachea	1
24		气管	Trachea	1
25		气管	Trachea	1
26	W02004	标准型弹簧垫圈 6	Washer 6	2
27	W02023	标准型弹簧垫圈 φ8	Washerφ8	1
28	13512035	膝控提升杠杆(右)	Knee lifter lever (right)	1

成套智联 让服装智造无限可能



杰克股份官方微信



杰克股份官方抖音



杰克资料库



参观杰克

400-8876-858
www.chinajack.com

杰克科技股份有限公司
中国浙江省台州市椒江区三甲东海大道东段1008号
电话: 0086-0576-88177788 88177789

JACK TECHNOLOGY CO.,LTD.
NO.1008 DONGHAI AVENUE EAST, JIAOJIANG
DISTRICT, TAIZHOU CITY, ZHEJIANG PROVINCE CHINA.
TEL: 0086-0576-88177788 88177789